


21700641	DATA SHEET	
Valid from: 17.09.2018	AB-C5-CCR-SH	

Description

- Cable coupler for connecting shielded cables with up to 5 cores
- E.g. for Sensor/ PROFIBUS/ CAN cables
- Easy repair or extension existing cable systems
- Repair kit for damaged cables
- Quick and easy assembly without special tools nor stripping of the single wire



General characteristics

Number of positions	5
Connection	Insulation displacement connection (IDC)
Ambient temperature (operation)	- 40 bis +85 °C
Protection	IP65/IP67
Conductor cross section	0,14 mm ² ... 0,75 mm ² (flexible) 0,14 mm ² ... 0,5 mm ² (fixed)
AWG conductor cross section	26 ... 18 (flexible) 26 ... 20 (fixed)
Wire diameter including insulation	0,75 mm ... 2 mm
For outer diameter	5 mm ... 9,7 mm
Frequency of connections between conductors of the same cross section	10
Torque	5 Nm (Dome nut)


Electrical characteristics

Rated voltage	60 V AC/DC
Rated current	4 A
Insulation resistance	≥ 100 MΩ
Pollution degree	3
Overvoltage category	II
Status display	Nein

Materials

Flammability rating according to UL 94	V0
Contact material	CuSn
Contact surface material	Ni/Au
Contact carrier material	PA
Material of grip body	cast zinc
Material, knurls	cast zinc
Sealing material	NBR

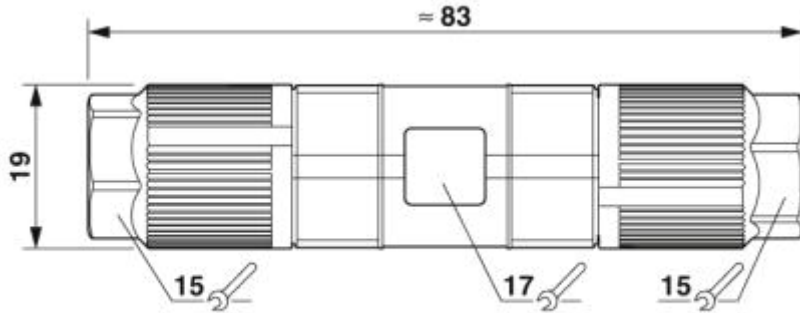
Creator: MOKO2/PDP Released: IVSE1/PDP	Document: DB21700641EN Version: 02	Page 1 of 2
-------------------------------------------	---------------------------------------	-------------

21700641	DATA SHEET	
Valid from: 17.09.2018	AB-C5-CCR-SH	

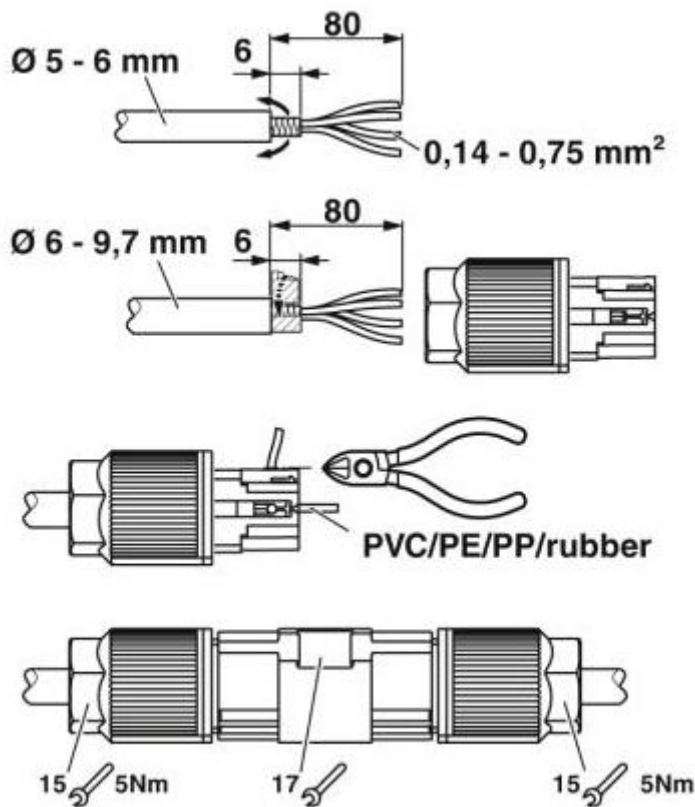
Note for mounting

When connecting cables with different core marking, be sure that both sides of the connector are connected to the same color marking.

Drawings



Dimensional drawing



Functional drawing

Note

Photographs are not true to scale and do not represent detailed images of the respective products.

Creator: MOKO2/PDP Released: IVSE1/PDP	Document: DB21700641EN Version: 02	Page 2 of 2
-------------------------------------------	---------------------------------------	-------------