


| | | |
|---------------------------|----------------------------------------|-------------------------------------------------------------------------------------|
| 21700638 | DATA SHEET |  |
| Valid from: 07.07.2020 | ED-IE-90-6_A-PN-20-FC | |

Product description

- Field mountable Industrial Ethernet RJ45 connector with colour coding according to PROFINET standard
- Cable outlet in 4 different 90°-steps modifiable
- Suitable for industrial applications, data centres and home networks



General properties

| | |
|----------------------------------------------|---------------------|
| Ambient temperature | -40 to +85 °C |
| Protection degree | IP 20 |
| Outer diameter, cable | 5,5 – 10,0 mm |
| Outer diameter, wire | 1,0 – 1,6 mm |
| Termination cross section, stranded, 7 wires | AWG27/7 – AWG22/7 |
| Termination cross section, solid | AWG24/1 – AWG22/1 |
| Cable outlet, variable | 0°, 90°, 180°, 270° |

Mechanical properties

| | |
|----------------------------------------------|--------|
| Insertion force | ≤ 30 N |
| Mating cycles | ≥ 750 |
| Cable extraction force (assembled connector) | ≥ 50 N |

Electrical properties

| | |
|-----------------------------------------------------------|--------------|
| Contact resistance | ≤ 20 mΩ |
| Insulation resistance | ≥ 500 MΩ |
| Proof voltage, contact-contact | ≥ 1000 V, DC |
| Proof voltage, contact-shield | ≥ 1500 V, DC |
| Current carrying capacity at 50 °C | 1 A |
| Suitable for Power over Ethernet+ acc. to IEEE 802.3at | yes |

Transmission properties

| | |
|-------------------------------------------------------|-------------------------------|
| Suitable for 10 Gigabit Ethernet acc. to IEEE 802.3an | yes |
| Category 6 _A | ISO/IEC 11801; DIN EN 50173-1 |
| Class E _A | ISO/IEC 11801; DIN EN 50173-1 |
| Category 6A | ANSI/TIA/EIA-568-C.2 |


Materials

| | |
|-------------------------------------------|---------------|
| Inflammability class in according to UL94 | V0 |
| Connector housing, base material | die-cast zinc |
| Connector housing, surface | Ni |
| Contacts, surface | Au |

Approvals

| | |
|-------------------|--------------|
| UL listed, E-File | DUXR.E353543 |
|-------------------|--------------|

| | | |
|-------------------------------------------|---------------------------------------|-------------|
| Creator: MANA2/PDP Released: IVSE1/PDP | Document: DB21700638EN Version: 03 | Page 1 of 2 |
|-------------------------------------------|---------------------------------------|-------------|

| | | |
|---------------------------|----------------------------------------|-------------------------------------------------------------------------------------|
| 21700638 | DATA SHEET |  |
| Valid from: 07.07.2020 | ED-IE-90-6_A-PN-20-FC | |

Standards

Product standard

RJ45 connector acc. to IEC 60603-7-51

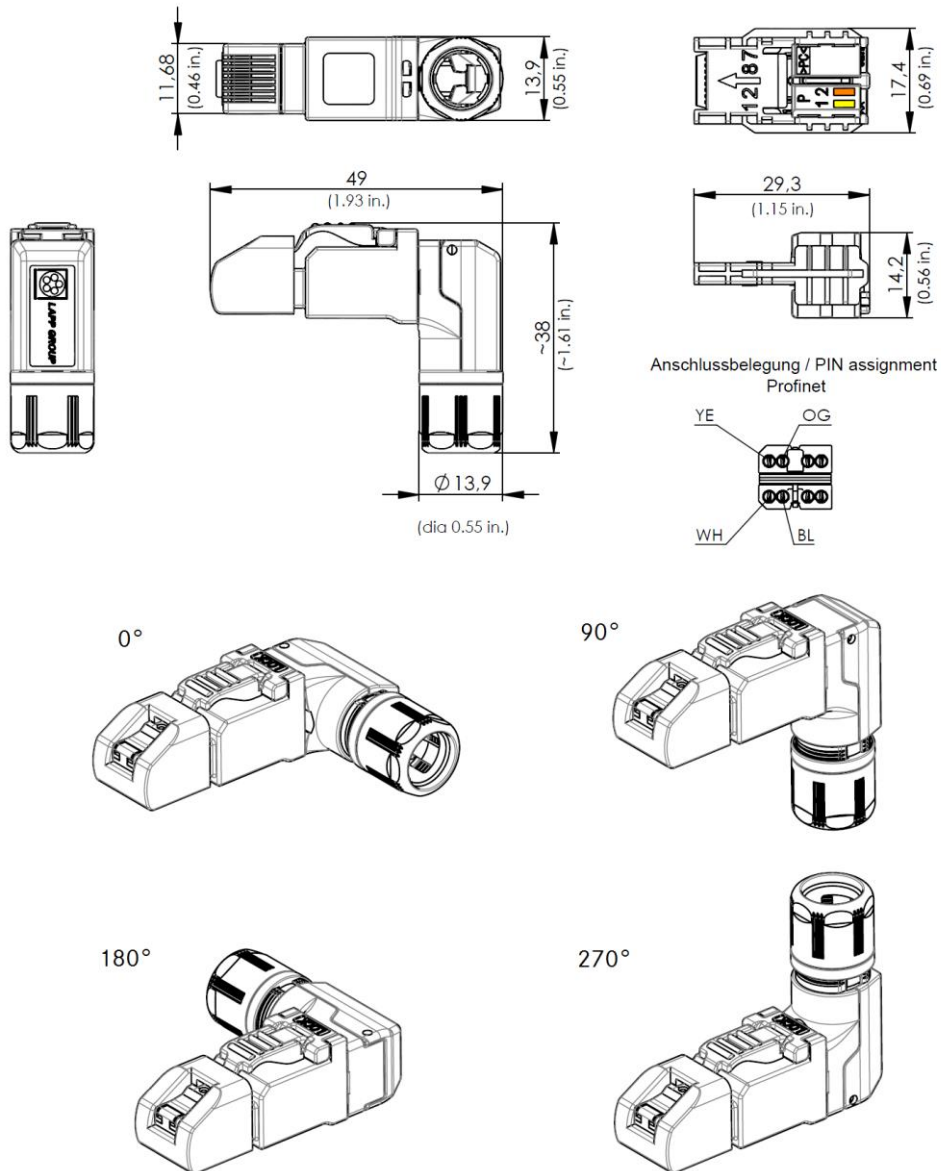
ANSI/TIA/EIA-568-C.2

Generic cable systems

ISO/IEC 11801

DIN EN 50173-1

Drawings



Application range

Automation, industrial machinery and plant engineering

Note

Photographs are not true to scale and do not represent detailed images of the respective products.

| | | |
|-------------------------------------------|---------------------------------------|-------------|
| Creator: MANA2/PDP Released: IVSE1/PDP | Document: DB21700638EN Version: 03 | Page 2 of 2 |
|-------------------------------------------|---------------------------------------|-------------|