

21700622	DATA SHEET	
Valid from: 20.02.2020	ED-IE-AX-M12XF-RM-6A-67-FC	

Product description

- Field mountable Industrial Ethernet Connector, M12 X-coded acc. to IEC 61076-2-109
- Mounting flange for rear mounting
- Suitable for industrial applications
- Robust and consistent against vibration
- No special tools needed



General properties

Ambient temperature	-40 to +85 °C
Protection degree	IP 67*
Termination type	IDC
Outer diameter, cable	5.0 – 9.7 mm**
Outer diameter, wire	0.85 – 1.6 mm
Termination cross section, stranded, 7 wires	AWG26/7 – AWG22/7
Termination cross section, solid	AWG26/1 – AWG22/1
Pollution degree	2
Overvoltage category	III

*following Lapp products with an outer diameter greater than 8.5 mm are recommended to enable the protection degree IP67

ETHERLINE® Cat.6_A
ETHERLINE® PN Cat.6_A FLEX
ETHERLINE® FD CAT.6_A
ETHERLINE® TORSION Cat.6_A
ETHERLINE® Cat.7

**following version is recommended for cable outer diameters less than 6.3 mm

21700646

Mechanical properties

Insertion force	≤ 30 N
Mating cycles	≥ 100

Electrical properties

Rated voltage	48 V
Current carrying capacity at 40°C	0,5 A
Insulation resistance	≥ 100 MΩ

Transmission properties

Suitable for 10 Gigabit Ethernet acc. to IEEE 802.3an yes


Materials

Connector housing, base material	die-cast zinc
Contacts, surface	Ni + Au

Approvals

UL listed, E-File	E353543
-------------------	---------

Creator: MANA2/PDP	Document: DB21700622EN	Page 1 of 2
Released: IVSE1/PDP	Version: 04	

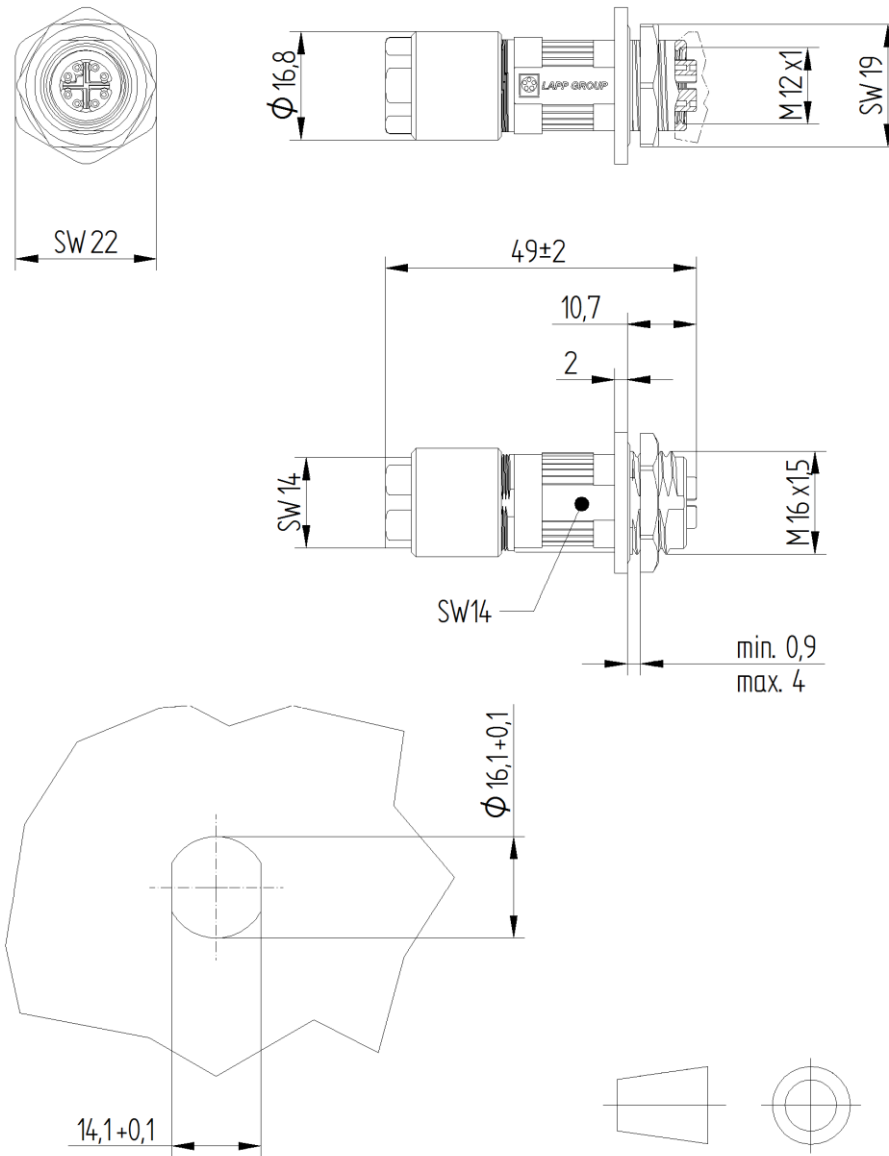
21700622	DATA SHEET	
Valid from: 20.02.2020	ED-IE-AX-M12XF-RM-6_A-67-FC	

Standards

Product standard

DIN EN 61076-2-109

Drawings



Application range

Automation, industrial machinery and plant engineering

Note

Photographs are not true to scale and do not represent detailed images of the respective products.

Creator: MANA2/PDP Released: IVSE1/PDP	Document: DB21700622EN Version: 04	Page 2 of 2
---	---------------------------------------	-------------