


21700617	DATA SHEET	
Valid from: 17.09.2018	ED-IE-M12F-X-RM	

Product description

- Flush-type socket M12 X-coded for front mounting
- Suitable for industrial applications
- Suitable for data transmission up to 10 Gbit/s acc. to Cat.6_A



General properties

Ambient temperature	-40 to +85 °C
Protection degree	IP 65, IP 67
Termination type	solder
Pollution degree	2
Overvoltage category	II
Mateing direction	vertical
Designed for Through-Hole-Reflow	yes

Mechanical properties

Insertion force	≤ 30 N
Mating cycles	≥ 100
Tightening torque, connector	0.6 – 1.0 Nm
Tightening torque, counter nut	2.5 – 3.5 Nm

Electrical properties

Rated voltage	48 V
Current carrying capacity at 40°C	0.5 A
Contact resistance	≤ 20 mΩ
Insulation resistance	≥ 100 MΩ

Transmission properties

Suitable for 10 Gigabit Ethernet acc. to IEEE 802.3an	yes
Category 6 _A	ISO/IEC 11801

Materials

Connector housing, base material	brass
Connector housing, surface	Ni
Contacts, surface	Au
Shield	bronze

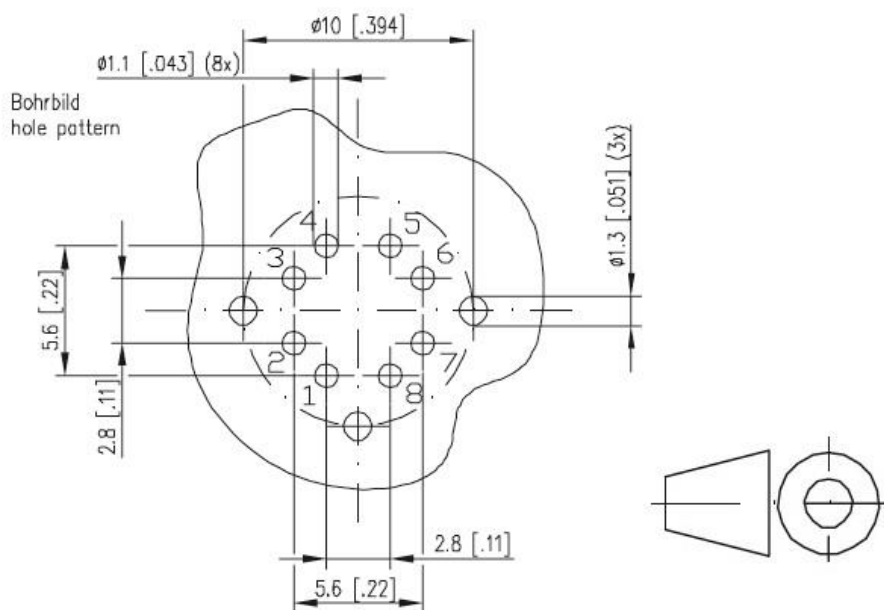
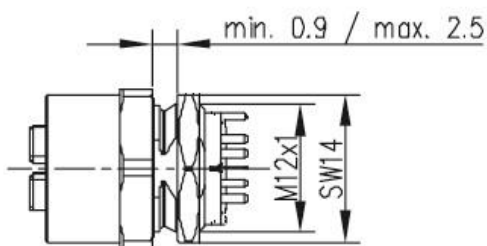
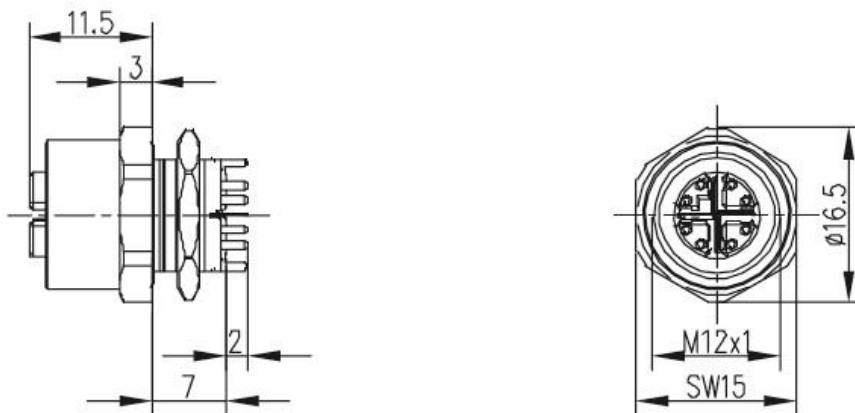
Standards


Product standard	DIN EN 61076-2-109
------------------	--------------------

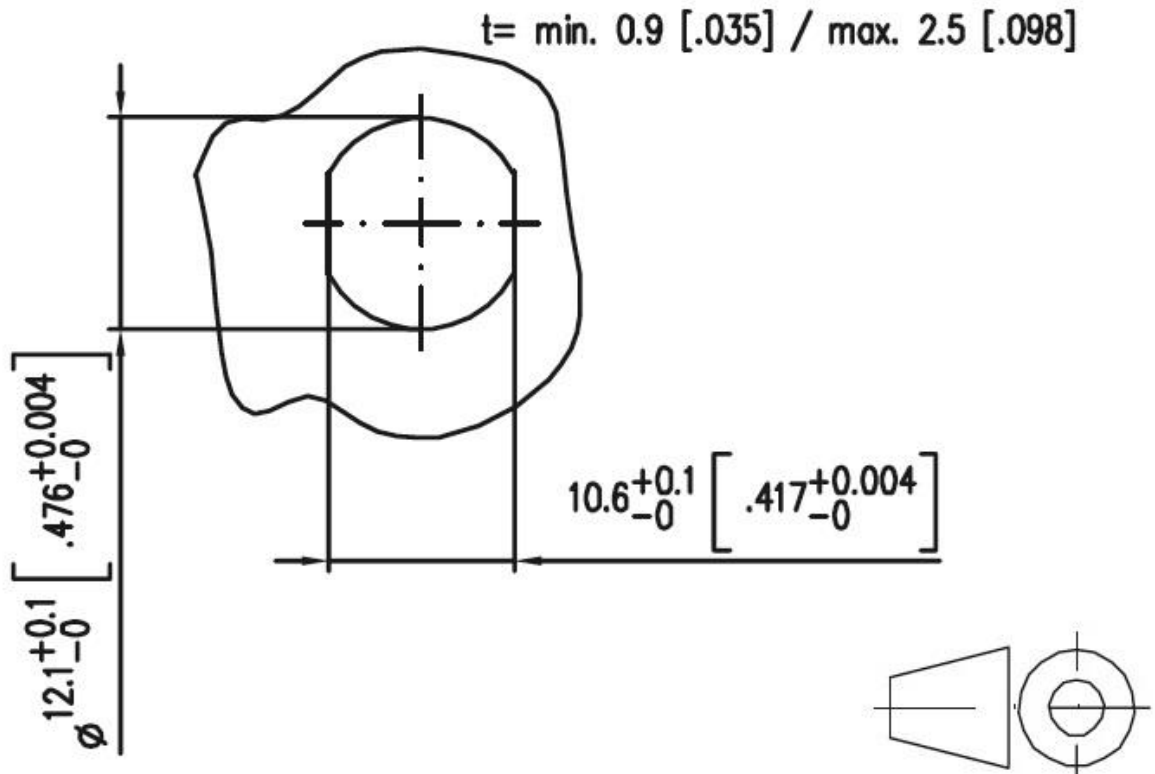
Creator: MANA2/PDP	Document: DB21700617EN	Page 1 of 3
Released: IVSE1/PDP	Version: 02	

21700617	DATA SHEET	
Valid from: 17.09.2018	ED-IE-M12F-X-RM	

Drawings



21700617	DATA SHEET	
Valid from: 17.09.2018	ED-IE-M12F-X-RM	



Application range

Automation, industrial machinery and plant engineering

Note

Photographs are not true to scale and do not represent detailed images of the respective products.

Creator: MANA2/PDP Released: IVSE1/PDP	Document: DB21700617EN Version: 02	Page 3 of 3
---	---------------------------------------	-------------