


21700144	<b>DATA SHEET</b>	
Valid from: 06.10.2020	<b>ETHERLINE® ACCESS UF(P*)T</b>	

## Description

- Fast Ethernet Network-Switch (10/100BaseT(X)), unmanaged
- Ports: RJ45
- Space-saving design for DIN rail
- Designed for industrial environment (protection class IP20)
- PROFINET Conformance Class A (only 8/16 port)



## General characteristics

Interfaces	<b>RJ45 Port:</b> 10/100BaseT(X) auto-negotiation, full-/halfduplex-mode and Auto-MDI/MDI-X-connection
Switch properties	<b>MAC-table size:</b> 1 K (UF05-T) 16 K (UF08-T) 2x 16 K (UF16-T) <b>Packet puffer size:</b> 512 Kbit (UF05-T) 2048 Kbit (UF08-T) 2x 2048 Kbit (UF16-T) <b>Protocol:</b> LLDP & PTCP Delay-Traffic Blocking (UF-08T & UF16-T) operating temp.: -25°C to +75°C (-13°F to 167°F) storage temp.: -40°C to +85°C (-40°F to 185°F) 5% to 95 % (non-condensing) 2 IEEE 802.3i (10BaseT) IEEE 802.3u (100BaseTX) IEEE 802.3x (Flow control) IEEE 802.1Q (QoS) (UF08-T & UF16-T) Store and Forward 311.418 Std @ MIL-HDBK-217 (UF05T) 260.172 Std @ MIL-HDBK-217 (UF08T) 145.591 Std @ MIL-HDBK-217 (UF16T)
Temperature range	
Relative humidity	
Pollution degree	
Standards	
Processing type	
MTBF (mean time between failures)	


## Variation

Article	Description	Ports (P*) [amount]
21700144	ETHERLINE ACCESS UF05T	05
21700145	ETHERLINE ACCESS UF08T	08
21700146	ETHERLINE ACCESS UF16T	16

## Power requirements

Input voltage	24 V DC (18-30V DC)
Input current (max.) at +24 V DC	60 mA (UF05T) 100 mA (UF08T) 100 mA (UF16T)

Creator: FELI1/PDP Released: IVSE1/PDP	Document: DB21700144EN Version: 02	Page 1 of 3
---	---------------------------------------	-------------

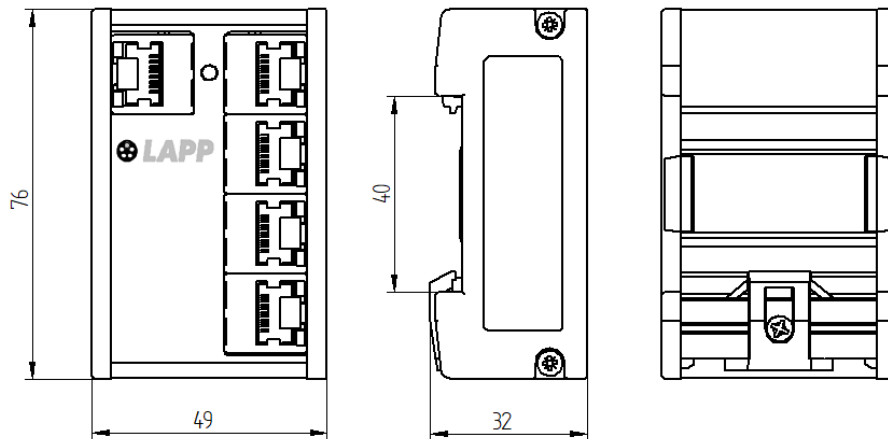
21700144	<b>DATA SHEET</b>	
Valid from: 06.10.2020	<b>ETHERLINE® ACCESS UF(P*)T</b>	

### Physical properties

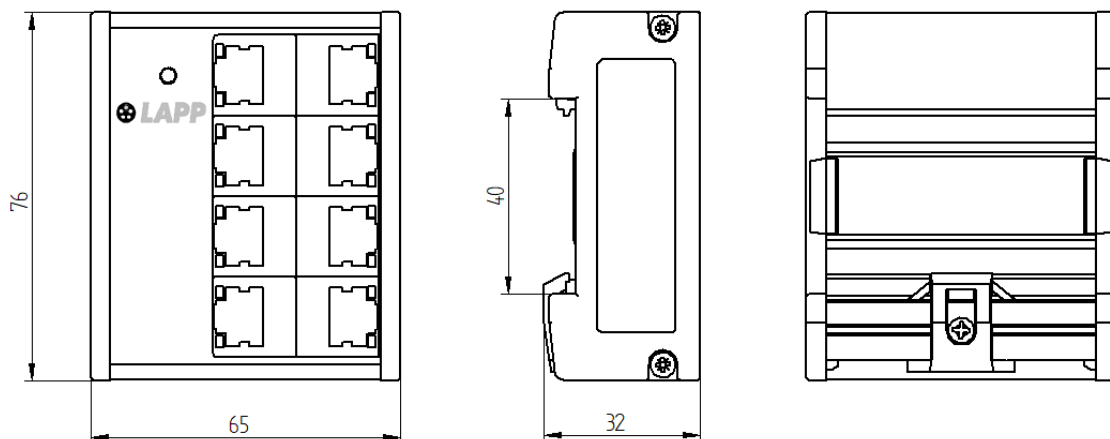
IP class	IP20
Weight	0.11 kg (UF05T)
	0.15 kg (UF08T)
	0.27kg (UF16T)
Installation	DIN-rail mounting


### Technical drawing

Dimensional drawing (UF05T)

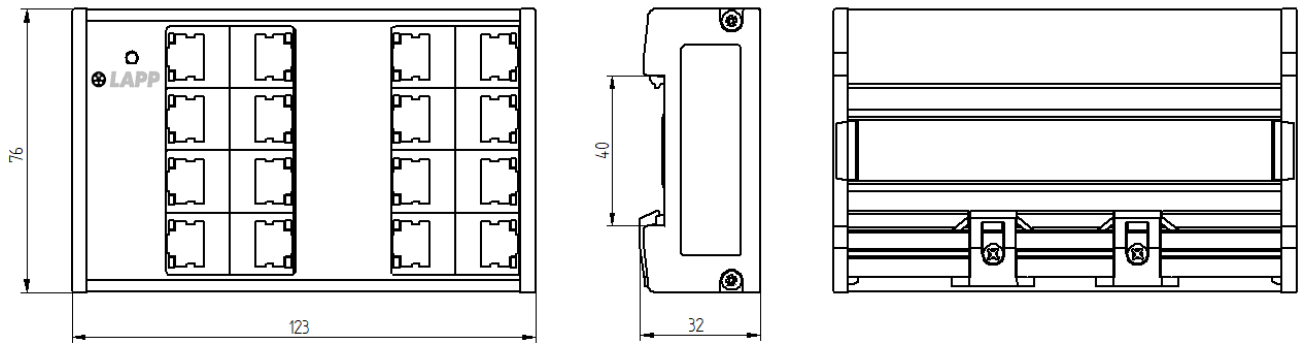


Dimensional drawing (UF08T)



21700144	<b>DATA SHEET</b>	
Valid from: 06.10.2020	<b>ETHERLINE® ACCESS UF(P*)T</b>	

Dimensional drawing (UF16T)



### Standards and approvals

EMC

DIN EN 61000-6-2

Approvals

DIN EN 61000-6-4

PROFINET

CE

UL (E331560)

Conformance Class A (UF08T /UF16T)

### Application range

Automation, industrial machinery and plant engineering

### Note

Photographs are not to scale and do not represent detailed images of the respective products.

Creator: FELI1/PDP Released: IVSE1/PDP	Document: DB21700144EN Version: 02	Page 3 of 3
---	---------------------------------------	-------------