


| | | |
|---------------------------|-----------------------------------|---|
| 21700140 | DATA SHEET |  |
| Valid from: 17.06.2020 | ETHERLINE® ACCESS PNF(P*)T | |

Description

- PROFINET IO-Switch, managed
- Fast and easy configuration and diagnose via PROFINET or web interface, Ports: RJ45
- Configuration with command line (Telnet, SSH) possible
- Diverse management and maintenance policies available (e.g. MRP-Client, LLDP, DCP, SNMP, alarm diagnosis, port-mirroring, network statistics (frames, failure))
- PROFINET Conformance Class B



General characteristics

| | |
|-----------------------------------|--|
| Interfaces | RJ45 Port: each 100 Mbit/s |
| Switch properties | medium redundancy (MRP), automatic address/topology recognition (LLDP, DCP) |
| Temperature range | ambient temp.: -40°C bis +75°C (-40°F bis 167°F) (PNF04T & PNF08T) ambient temp.: 0°C to +60°C (32°F to 140°F) (PNF16T) transport - and storage temp.: -40°C to +85°C (-40°F to 185°F) |
| relative humidity | 95 % (non-condensing) |
| Pollution degree | 2 |
| Protocol | PROFINET IO acc. IEC 61158-6-10 |
| MTBF (mean time between failures) | 133.239 Std @ MIL-HDBK-217 (PNF04T) 114.668 Std @ MIL-HDBK-217 (PNF08T) 84.446 Std @ MIL-HDBK-217 (PNF16T) |


Variation

| Article | Description | Ports (P*) [amount] |
|----------|-------------------------|---------------------|
| 21700140 | ETHERLINE ACCESS PNF04T | 04 |
| 21700142 | ETHERLINE ACCESS PNF08T | 08 |
| 21700143 | ETHERLINE ACCESS PNF16T | 16 |

Power requirements

| | |
|-----------------------------|-----------------------------------|
| Connection | 1 removable 5-pole terminal block |
| Power Input | 24-48 V DC (18-60V DC) |
| Power Consumption (max.) | 11 W |
| Input current (max.) | 0.62 A |
| Overload current protection | support |
| Reverse polarity protection | support |
| Redundancy protection | support |

| | | |
|---|---------------------------------------|-------------|
| Creator: FELI1/PDP Released: IVSE1/PDP | Document: DB21700140EN Version: 02 | Page 1 of 3 |
|---|---------------------------------------|-------------|

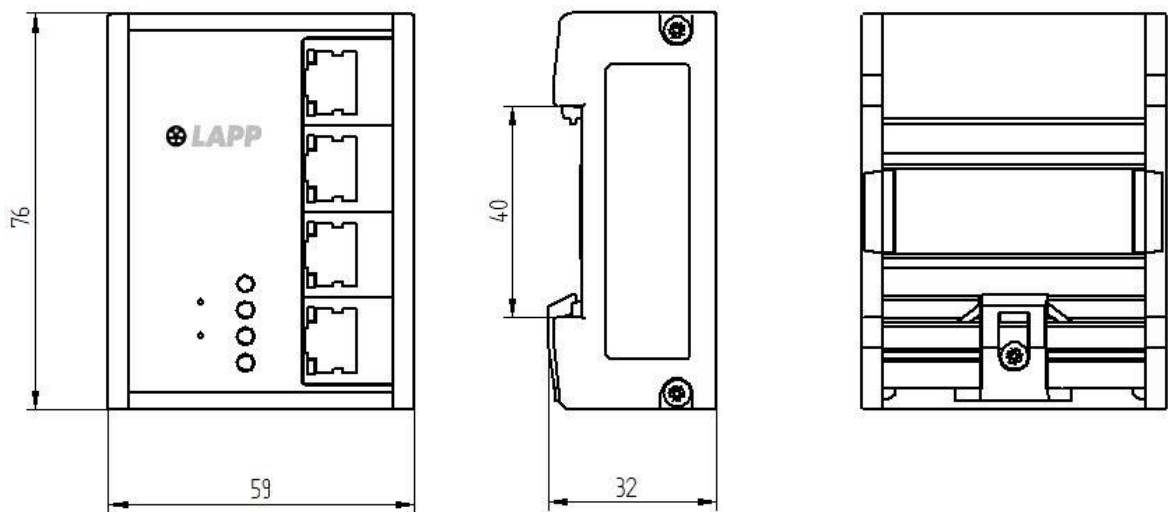
| | | |
|---------------------------|-----------------------------------|---|
| 21700140 | DATA SHEET |  |
| Valid from: 17.06.2020 | ETHERLINE® ACCESS PNF(P*)T | |

Physical properties

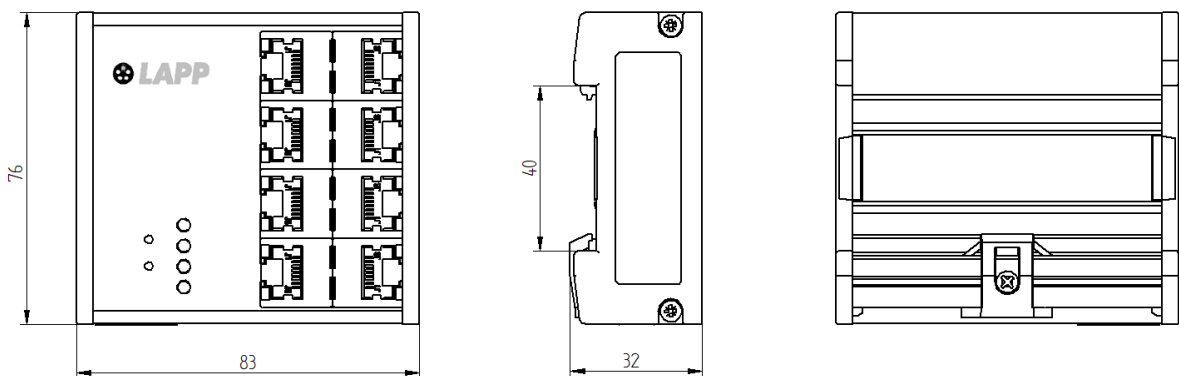
| | |
|--------------|-------------------|
| IP class | IP20 |
| Weight | 0.13 kg (PNF04T) |
| | 0.18 kg (PNF08T) |
| | 0.31 kg (PNF16T) |
| Installation | DIN-rail mounting |


Technical drawing

Dimensional drawing (NF04-T)

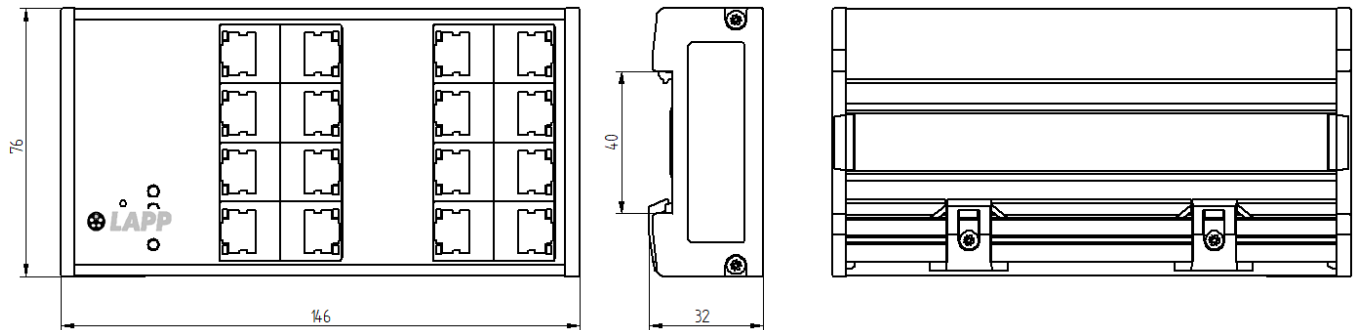


Dimensional drawing (NF08-T)



| | | |
|---------------------------|-----------------------------------|---|
| 21700140 | DATA SHEET |  |
| Valid from: 17.06.2020 | ETHERLINE® ACCESS PNF(P*)T | |

Maßzeichnung (NF16-T)



Standards and approvals

| | |
|-----------|---------------------|
| EMC | DIN EN 61000-6-2 |
| | DIN EN 61000-6-4 |
| PROFINET | Conformance Class B |
| | Netload Class I |
| Approvals | CE |
| | UL (E331560) |

Application range

Automation, industrial machinery and plant engineering

Note

Photographs are not to scale and do not represent detailed images of the respective products.

| | | |
|---|---------------------------------------|-------------|
| Creator: FELI1/PDP Released: IVSE1/PDP | Document: DB21700140EN Version: 02 | Page 3 of 3 |
|---|---------------------------------------|-------------|