

73000024	<b>DATA SHEET</b>	
Valid from: 18.09.2020	<b>EPIC® POWER LS1 D6 SHORT 3+PE+4</b>	

## Description

- Circular connectors for servomotors and power supply
- High power at smallest installation space
- Optimal solution for electric motors
- EMC-optimised design
- Safety use in field environment by high protection class



## General Characteristics

Series	POWER LS 1
Version	Short, Cable connector for female contacts
Pin configuration	3+PE+4
Rated voltage (V)	630 V (2 mm Contacts) 250 V (1 mm Contacts)
Rated impulse voltage	6 kV (2 mm Contacts) 4 kV (1 mm Contacts)
Rated current (A)	26 A/3+PE+4 (2 mm Contacts) 7 A (1mm Contacts)
Contact resistance	< 4 mOhm
Contacts	Gold plated brass
Number of contacts	3+PE+4
Termination methods	Crimp termination: 0.5 - 2.5 mm <sup>2</sup> (2 mm contacts) Crimp termination: 0.14 - 1.0 mm <sup>2</sup> (1 mm contacts)
Protection	IP 68
Cycle of mechanical operation	500
Temperature range	-25°C to +125°C
Degree of soiling	3

## Product Variations

Package unit = 20 pcs: Contacts must be ordered separately

Article- Number	Article	Contacts included	Cable clamping range mm	Pin configuration
Type LS1 D6 short, Cable connector, 8-pin for female contacts				
73000024	LS1 D6	8	8,5 - 11	3+PE+4
73000026	LS1 D6		8,5 - 11	3+PE+4
73000025	LS1 D6	8	10,5 - 15,5	3+PE+4
73000027	LS1 D6		10,5 - 15,5	3+PE+4
76124100	LS1 D6	8	7,5 - 15,5	3+PE+4
76124610	LS1 D6		7,5 - 15,5	3+PE+4

Creator: STKU3/PDP Released: IVSE1/PDP	Document: DB73000024EN Version: 05	Page 1 of 3
---	---------------------------------------	-------------

73000024	<b>DATA SHEET</b>	
Valid from: 18.09.2020	<b>EPIC® POWER LS1 D6 SHORT 3+PE+4</b>	

### Materials and Surfaces

Housing	Nickel-plated zinc die-casting, nickel-plated brass
Insert	PA
Seal	FPM
Contact	Brass
Contact surface	Au

### Approvals

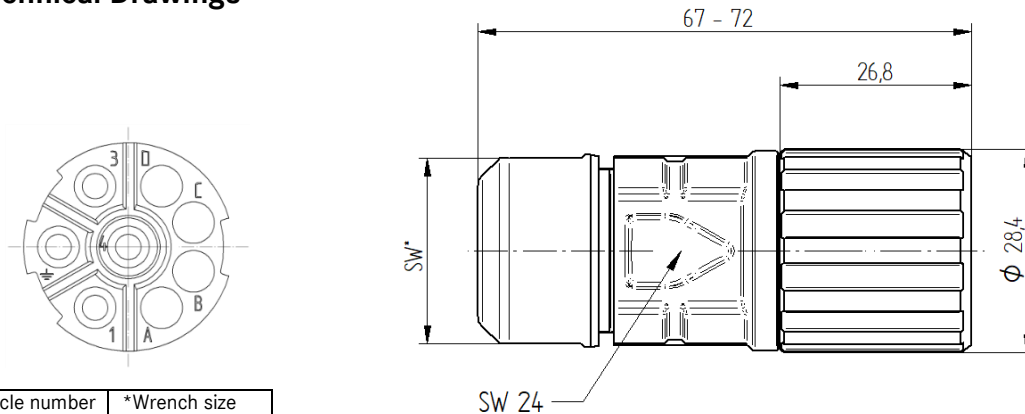
VDE-Approval, VDE-REG.-Nr.	B025
UL-File-Number	E249137

### Standard

Product Standard	IEC 61984, UL 2238, CSA 22.2 182.3
------------------	------------------------------------



### Technical Drawings



Article number	*Wrench size
73000028	26
73000030	26
73000029	26
73000031	26
76123100	27
76123610	27



Good chemical resistance



Corrosion-resistant



Industrial machinery and plant engineering

Creator: STKU3/PDP Released: IVSE1/PDP	Document: DB73000024EN Version: 05	Page 2 of 3
---	---------------------------------------	-------------

73000024	<b>DATA SHEET</b>	
Valid from: 18.09.2020	<b>EPIC® POWER LS1 D6 SHORT 3+PE+4</b>	



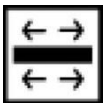
Maximum vibration protectio



Mechanical resistance



Assembly time



Optimum strain relief



Space requirement



Robust



Integrated SKINTOP® cable gland



Waterproof



Wind Energy



Variety of approval certifications

#### Info

Reduced length for cables which are easy to assemble

#### Application range

Plant engineering

Servo drives and servo assemblies

#### Remark

Photographs are not to scale and do not represent detailed images of the respective products.

Creator: STKU3/PDP Released: IVSE1/PDP	Document: DB73000024EN Version: 05	Page 3 of 3
---	---------------------------------------	-------------