

70090200	<b>DATA SHEET</b>	
Valid from: 17.09.2018	<b>EPIC® H-B 16 TBFH</b>	

## Description

- The housing standard.
- Wide choice for all applications.



## General Characteristics

Series	H-B 16
Version	Cable coupler hood PG21 / PG29 (Article 70090400)
Gland body	Yes
Locking	Double lever
Cable entry	Straight
Protection (DIN EN 60529)	IP 65 (latched)
Protection (NEMA 250, UL50E)	4, 12 (latched)
Temperature Range	-40°C to +100°C, short term up to +125°C

## Materials and Surfaces

Housing	Aluminium alloy, powder-coated, grey
Bolt	Heat-treatable steel, zinc-plated
Lever	Steel, zinc-plated
Gland body	Brass, nickel plated
Sealing	NBR

## Approvals

VDE-Approval, VDE-REG.-Nr.	B437
----------------------------	------

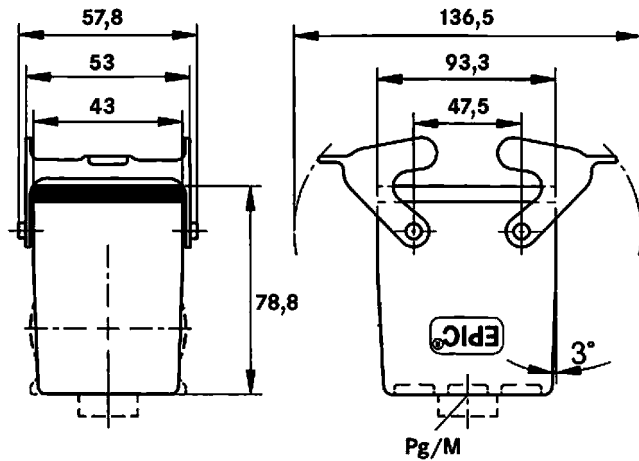
## Standard

Safety Standard	IEC 61984
-----------------	-----------

Creator: MANA2/PDP Released: IVSE1/PDP	Document: DB70090200EN Version: 01	Page 1 of 2
---	---------------------------------------	-------------

70090200	<b>DATA SHEET</b>	
Valid from: 17.09.2018	EPIC® H-B 16 TBFH	

### Technical Drawings



Automation



Industrial machinery and plant engineering



Mechanical resistance



Robust



Waterproof

### Info

Universal, robust metal housings size H-B 16

### Application range

Plant engineering  
Light & sound technology  
Plastics industry

### Remark

Photographs are not to scale and do not represent detailed images of the respective products.

Creator: MANA2/PDP Released: IVSE1/PDP	Document: DB70090200EN Version: 01	Page 2 of 2
---	---------------------------------------	-------------