


70042400	DATA SHEET	
Valid from: 17.09.2018	EPIC® H-B 10 TBFH-LB	

Description

- The smallest housing with single and double lever.
- The right housing is available for every application.



General Characteristics

Series	H-B 10
Version	Cable coupler hood PG21 / PG29 (Article 70042600)
Cable gland	Yes
Locking	Single lever
Cable entry	Straight
Protection	IP 65(latched)
Temperature Range	-40°C to +100°C, short term up to +125°C

Materials and Surfaces

Housing	powder-coated aluminium alloy, grey
Bolt	Zinc-plated steel
Lever	Zinc-plated steel
Body	brass nickel plated
Profile Seal	NBR


Approvals

VDE-Approval, VDE-REG.-Nr.	B437
----------------------------	------

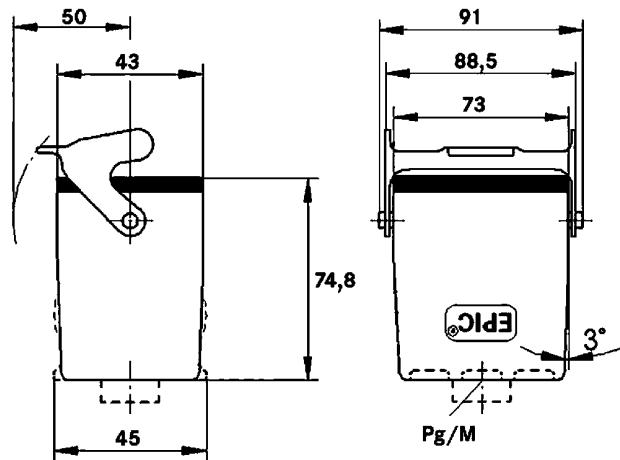
Standard

Safety Standard	IEC 61984
-----------------	-----------

Creator: MANA2/PDP Released: IVSE1/PDP	Document: DB70042400EN Version: 01	Page 1 of 2
---	---------------------------------------	-------------

70042400	DATA SHEET	
Valid from: 17.09.2018	EPIC® H-B 10 TBFH-LB	

Technical Drawings



Automation



Industrial machinery and plant engineering



Mechanical resistance



Robust



Waterproof

Info

Universal, robust metal housings size H-B 10

Application range

Plant engineering
Light & sound technology
Plastics industry

Remark

Photographs are not to scale and do not represent detailed images of the respective products.

Creator: MANA2/PDP Released: IVSE1/PDP	Document: DB70042400EN Version: 01	Page 2 of 2
---	---------------------------------------	-------------