
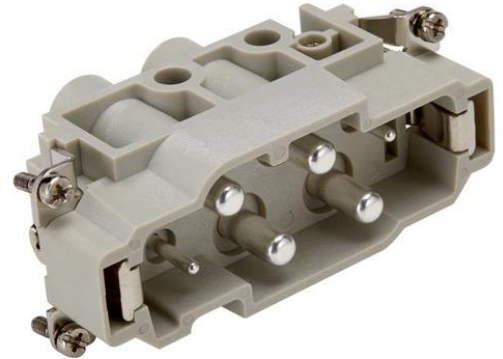


44424043	DATA SHEET	
Valid from: 08.02.2019	EPIC® POWER K 4/2	

Description

- Combination insert Power and Control
- High power in one connector insert
- Best in combination with ÖLFLEX® SERVO



General Characteristics

Series	K 4
Version	Male/Female(Article 44424044)
Number of Contacts	4 + 2 + PE
Termination Methods Power	Screw termination: 1.5 - 16.0 mm ²
Termination Methods Control	Screw termination: 0,5 - 2,5 mm ²
Temperature Range	-40°C to +125°C

Mechanical Characteristics

Cycle of mechanical operation	500
-------------------------------	-----


Electrical Characteristics

Rated Voltage	830 V Power
	400 V Control
Rated Impulse Voltage	8 kV Power
	6 kV Control
Rated Current	80 A Power
	16 A Control
Contact Resistance	< 5 mOhm
Degree of Soiling	3

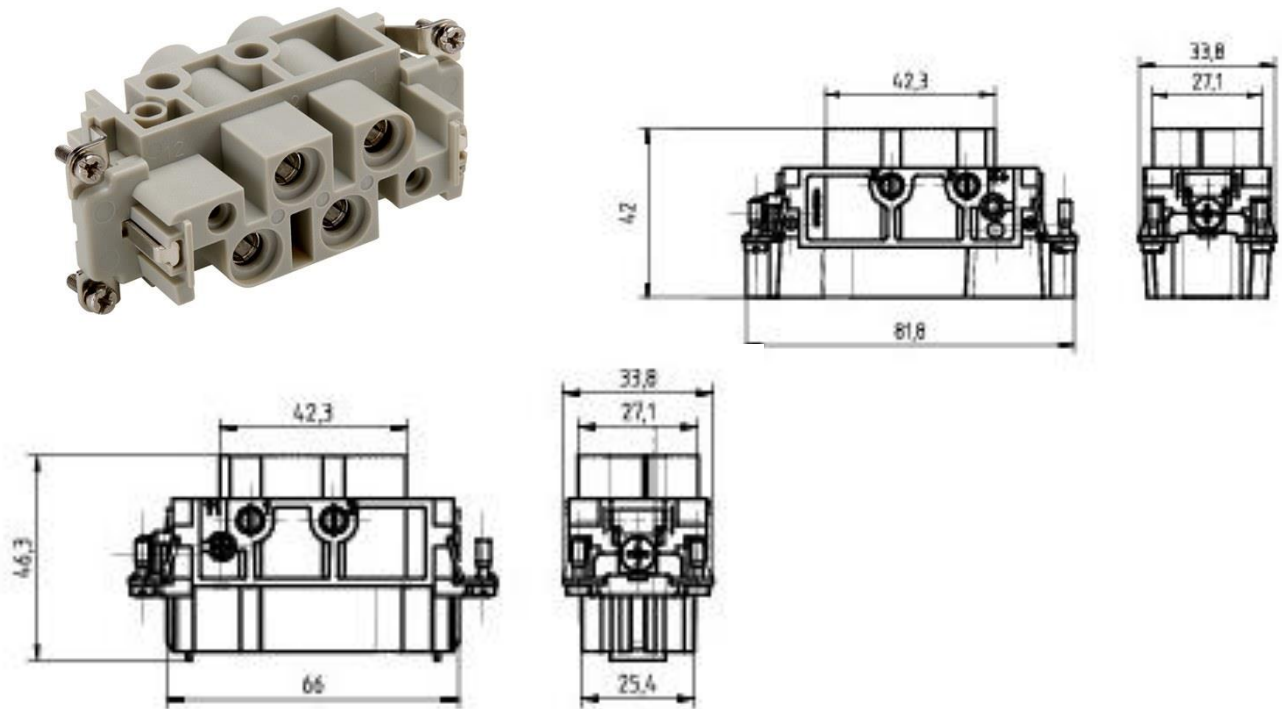
Materials and Surfaces

Insert material	PC
Flammability Class according to UL 94	V0
Contacts	CuZn
Contact plating	Ag (Silver)

Creator: STKU3/PDP Released: IVSE1/PDP	Document: DB44424043EN Version: 03	Page 1 of 2
---	---------------------------------------	-------------

44424043	DATA SHEET	
Valid from: 08.02.2019	EPIC® POWER K 4/2	

Technical Drawing



Industrial machinery and plant engineering



Temperature-resistant



Wind Energy

Info

Combination Insert Power and Control

Application range

Mechanical engineering
Renewable energy
Control engineering

Remark

PE connection with a 16mm² wires only with the recommended ring lug 44424029.
The inserts must be used with the appropriate housings.
To connect stranded conductors, use an end sleeve.

Photographs are not to scale and do not represent detailed images of the respective products.

Creator: STKU3/PDP Released: IVSE1/PDP	Document: DB44424043EN Version: 03	Page 2 of 2
---	---------------------------------------	-------------