


44423142	DATA SHEET	
Valid from: 17.09.2018	EPIC® POWER M12	

Description:

- Circular connector for servo engines and power supply
- Angled version with cable grommet for cables from 8 mm to 10 mm
- High-grade gold-plated contacts



Male connector

Female connector

Product variants:

Article number	Type	Pin arrangement	Cable grommet
44423142	Male, angled cable connector	3+PE S-Coded	8 mm – 10 mm
44423143	Female, angled cable connector	3+PE S-Coded	8 mm – 10 mm

General characteristics:

Series	POWER M12
Coding	S-Coded
Type	Angled male / female cable connector
Pin configuration	3+PE
Rated voltage (V)	630 V
Rated impulse voltage (V)	6 kV
Degree of soiling	3
Overvoltage category	III
Insulation material group female	III
Insulation material group male	II
Rated current (A)	12 A
Contact resistance	≤ 5 mΩ
Termination methods	Screw clamp termination up to 1,5 mm ² (AWG 16)
Cable clamping range	8 mm – 10 mm
Protection	IP 67 according to IEC 60529
Cycles of mechanical operation	>100
Temperature range	-40°C to +85°C
Tightening torque	0,6 Nm (M12 knurl)


Material/surface:

Contacts	CuZn (Brass)
Contact plating	Au (Gold)
Material insulation body	PA (Polyamid)

Standards:

Product standard	DIN EN 61076-2-111 (Draft)
------------------	----------------------------

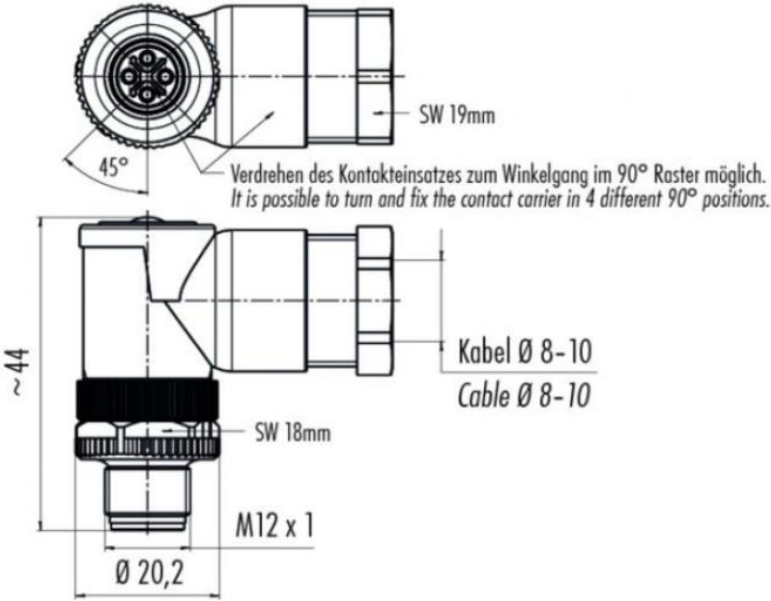
Creator: STKU3/PDP Released: IVSE1/PDP	Document: DB44423142EN Version: 01	Page 1 of 3
---	---------------------------------------	-------------

44423142	DATA SHEET	
Valid from: 17.09.2018	EPIC® POWER M12	

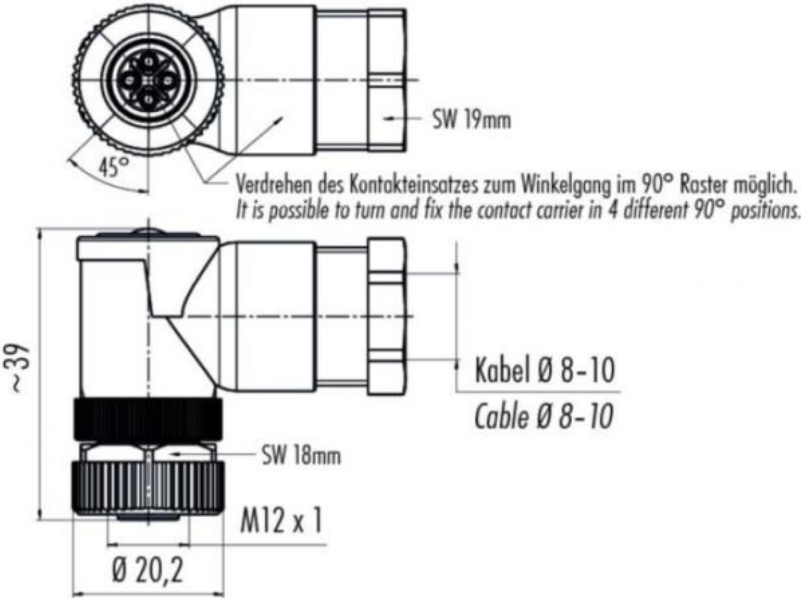
Technical drawing:


Pin-arrangement:

Male, angled connector

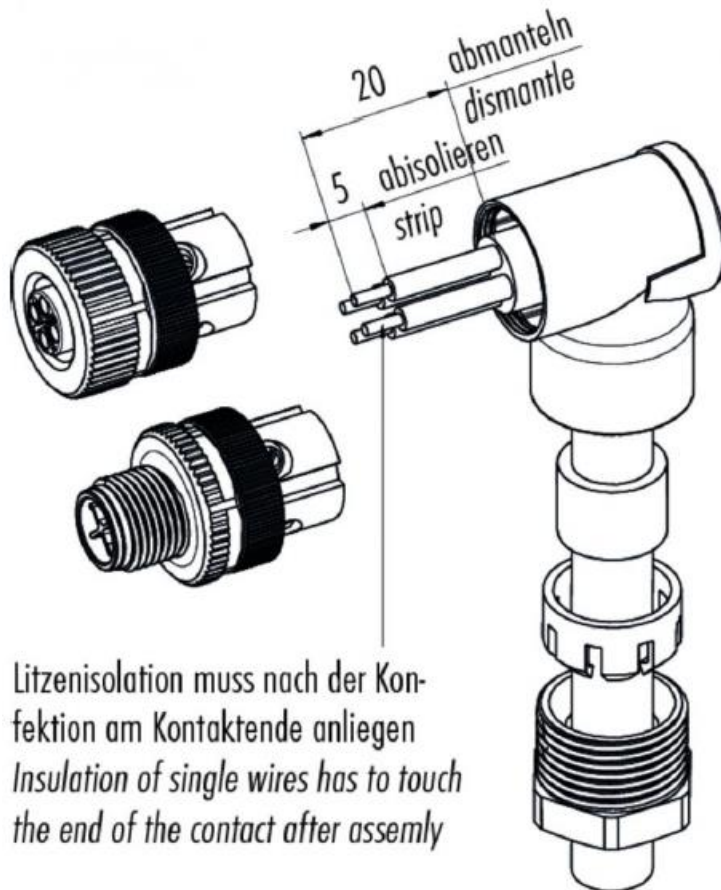


Female, angled connector



44423142	DATA SHEET	
Valid from: 17.09.2018	EPIC® POWER M12	

Assembly instruction:



Application range:

Power supply for compact engines.

Remark:

Photographs are not to scale and do not represent detailed images of the respective products.
Further information can be found in the product standard.

Creator: STKU3/PDP Released: IVSE1/PDP	Document: DB44423142EN Version: 01	Page 3 of 3
---	---------------------------------------	-------------