


44420272	<b>DATA SHEET</b>	
Valid from: 14.01.2019	<b>EPIC® POWERLOCK A1 S</b>	

## Description

- Single-pin circular connector for mobile power distribution, electro motors and generators
- Resistant to mechanical influences in harsh environmental conditions
- Connectors in harmonised colours according to European standards
- Every colour has a different coding to prevent incorrect plugging



## General Characteristics

Series	A1 S
Version	panel-mount box, drain for contact with M12 threaded post
Rated voltage (V)	1000 V
Rated impulse voltage	8 kV
Rated current (A)	max. crimp 400 A
Contacts	Screw termination: silver-plated brass
Number of contacts	1
Termination methods	Screw termination: 50 - 120 mm <sup>2</sup>
Protection	IP 67 (maximum, dependant on cable gland used) IP 20 (unmated)
Cycle of mechanical operation	500
Temperature range	-25°C to +125°C
Degree of soiling	3

## Product Variations

Article- Number	Article	Fastening type	Pin configuration
<b>Type POWERLOCK A1, panel-mount box, drain for contact with M12 threaded post</b>			
44420272	POWERLOCK A1 PE/GN	Ø5,5mm (4x)	PE, Green
44420273	POWERLOCK A1 N/BL	Ø5,5mm (4x)	N, Blue
44420274	POWERLOCK A1 L1/BN	Ø5,5mm (4x)	L1, Brown
44420275	POWERLOCK A1 L2/BK	Ø5,5mm (4x)	L2, Black
44420276	POWERLOCK A1 L3/GY	Ø5,5mm (4x)	L3, Grey
<b>L1/red for direct current applications in conjunction with L2/black</b>			
44420320	POWERLOCK A1 L1/RD	Ø5,5mm (4x)	L1, Red


## Materials and Surfaces

Housing	PBT
Contact retention pin	PA

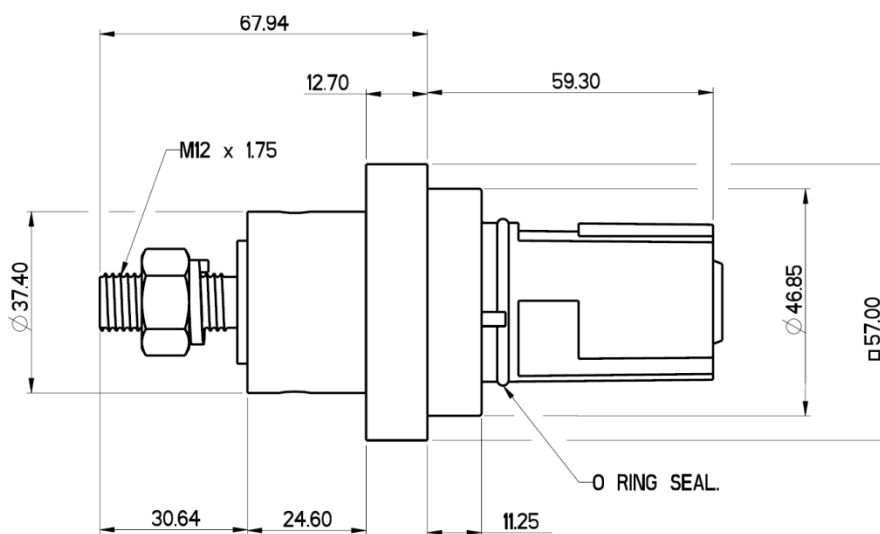
## Approvals

VDE-Approval, VDE-REG.-No.	D042
----------------------------	------

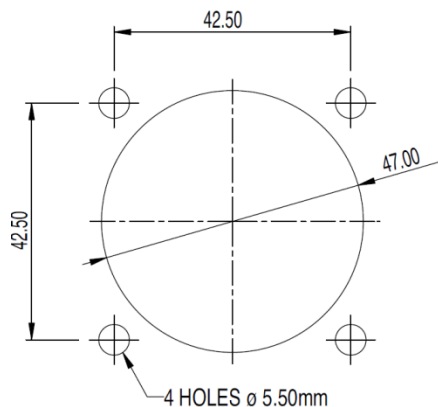
Creator: STKU3/PDP Released: IVSE1/PDP	Document: DB44420272EN Version: 03	Page 1 of 4
---	---------------------------------------	-------------

44420272	<b>DATA SHEET</b>	
Valid from: 14.01.2019	<b>EPIC® POWERLOCK A1 S</b>	

### Technical Drawings

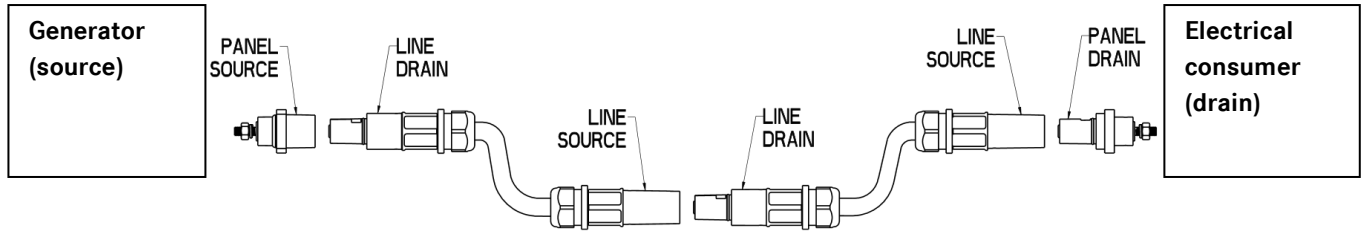


### Panel cutout



Creator: STKU3/PDP Released: IVSE1/PDP	Document: DB44420272EN Version: 03	Page 2 of 4
---	---------------------------------------	-------------

### System description



	Line connector	Panel mount connector	Crimp contact	Screw contact
Source	D6 	A6 		
Drain	F6 	A1 		

Step 1) Selection of housings:

Step 2) Selection of SKINTOP® cable gland M40 for the housing (only cable connectors):  
e.g. 3111250 (black), 53111450 (light grey), 53111050 (silver grey)

Step 3) Decision:           400 A / max. 120mm<sup>2</sup>   -> Screw contacts  
                                  660 A / max. 240mm<sup>2</sup>   -> Crimp contacts

! Screw and crimp contacts are not allowed to be mixed!

Step 4) Selection of contacts:


Screw contacts with reduction sleeve (with 120mm<sup>2</sup> not necessary)

	50 mm <sup>2</sup>	70 mm <sup>2</sup>	95 mm <sup>2</sup>	120 mm <sup>2</sup>
Source	44420237 & 44420247	44420237 & 44420246	44420237 & 44420245	44420237
Drain	44420232 & 44420247	44420232 & 44420246	44420232 & 44420245	44420232

Contacts with M12 thread (for cable lug Ø12 mm)

	M12-thread 660 A	M12-thread 400 A
Source	 44420261	 44420242
Drain	 44420260	 44420241

Tightening torque M12 nut: 27,5 Nm - 31,4 Nm

44420272	<b>DATA SHEET</b>	
Valid from: 14.01.2019	<b>EPIC® POWERLOCK A1 S</b>	



Approved



Robust



Reliability



Waterproof

### Application range

For renewable energy plants e.g. wind power  
 For mobile and stationary power distribution  
 For the connection of motors, transformers and generators  
 Light & sound technology

### Product features

Panel-mount base, straight entry  
 Contact fixing by contact retention pin, each pin can only be used once  
 Housing without contact, order contact separately

### Remark

Photographs are not to scale and do not represent detailed images of the respective products.

Creator: STKU3/PDP Released: IVSE1/PDP	Document: DB44420272EN Version: 03	Page 4 of 4
---	---------------------------------------	-------------