


44420050	<b>DATA SHEET</b>	
Valid from: 17.09.2018	<b>EPIC<sup>®</sup> SIGNAL M23 B2</b>	

## Description

- Circular connectors for Servo Cables and encoders
- Housings are very flexible - cable connectors with wide clamping range, receptacle housings for assembling the inserts from the front and rear
- Harnessed insulation body can easily inserted from back side in already mounted housing



## General characteristics

Series	SIGNAL M23
Version	panel-mount box, rear wall mounting
Protection rating	IP 68 (10 h / 1 m)
Temperature range	-25 °C to +125 °C

## Product variations

Article number	Coding	Fastening type	PU
44420050	black (N)	Ø2,7 mm (4x)	5
44420051	black (N)	Ø2,7 mm (4x)	20
44420035	red (+20°)	Ø2,7 mm (4x)	5
44420049	red (+20°)	Ø2,7 mm (4x)	20
44420052	blue (-20°)	Ø2,7 mm (4x)	5
44420053	blue (-20°)	Ø2,7 mm (4x)	20

## Materials and surfaces

Housing	Nickel plated zinc die-casting
Sealing	FPM


## Approvals

VDE-Approval, VDE-REG.-Nr.	C24
UL File Number	E249137

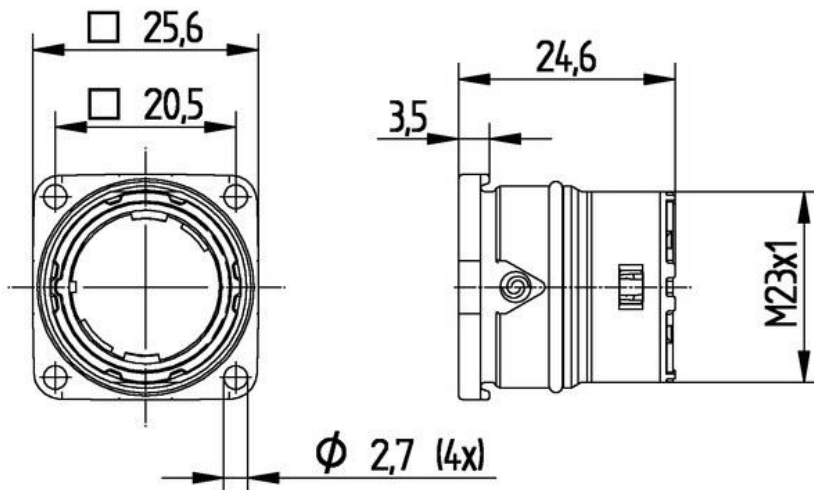
## Standard

Safety Standard	IEC 61984
-----------------	-----------

Creator: MANA2/PDP Released: IVSE1/PDP	Document: DB44420050EN Version: 03	Page 1 of 2
---	---------------------------------------	-------------

44420050	<b>DATA SHEET</b>	
Valid from: 17.09.2018	<b>EPIC<sup>®</sup> SIGNAL M23 B2</b>	

## Drawings



Good chemical resistance



Industrial machinery and plant engineering



Robust



Wind energy

### Application range

Plant engineering  
 Servo drives and Servo assemblies  
 Measurement and control technology

### Remark

Photographs are not to scale and do not represent detailed images of the respective products.

Creator: MANA2/PDP Released: IVSE1/PDP	Document: DB44420050EN Version: 03	Page 2 of 2
---	---------------------------------------	-------------