

44420040	<b>DATA SHEET</b>	
Valid from: 17.09.2018	<b>EPIC<sup>®</sup> SIGNAL M23 F6</b>	

## Description

- Circular connectors for servo cables and encoders
- Low-resistance screen contact, optimum EMC protection
- Use of high quality materials for increased reliability



## General characteristics

Series	SIGNAL M23
Version	coupling connector
Protection rating	IP 68 (10 h / 1 m)
Temperature range	-25 °C to +125 °C

## Product variations

Article number	Coding	Cable clamping range	PU
44420040	black (N)	7,0-13,5	5
72064030	black (N)	7,0-10,0	5
72064020	black (N)	7,0-10,0	20
72064000	black (N)	9,5-13,5	5
72064010	black (N)	9,5-13,5	20
44420041	red (+20°)	7,0-13,5	5
72064230	red (+20°)	7,0-10,0	5
72064220	red (+20°)	7,0-10,0	20
72064200	red (+20°)	9,5-13,5	5
72064210	red (+20°)	9,5-13,5	20
44420039	blue (-20°)	7,0-13,5	5
72064130	blue (-20°)	7,0-10,0	5
72064120	blue (-20°)	7,0-10,0	20
72064100	blue (-20°)	9,5-13,5	5

## Materials and surfaces

Housing	Nickel plated zinc die-casting
Sealing	FPM

## Approvals

VDE-Approval, VDE-REG.-Nr.	C24
UL File Number	E249137

## Standard

Safety Standard	IEC 61984
-----------------	-----------

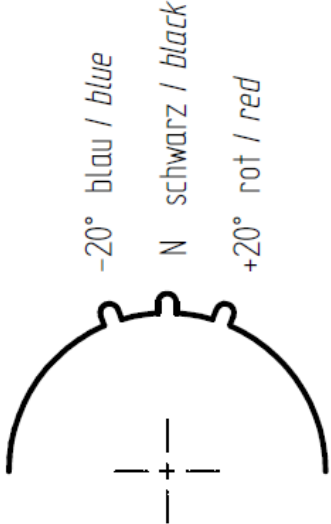
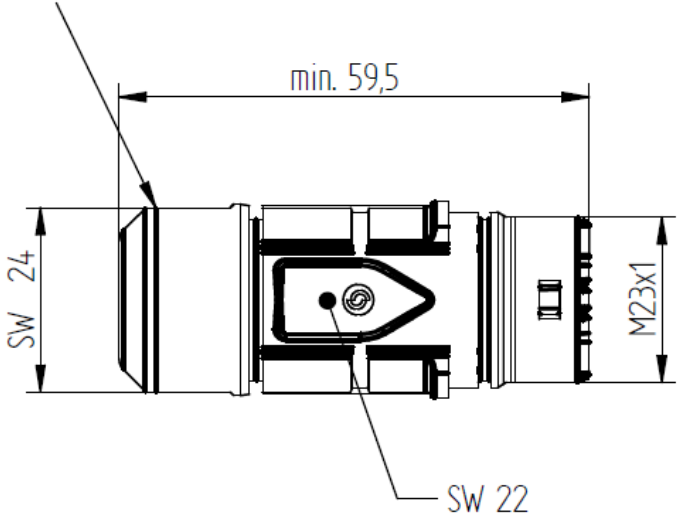
Creator: MANA2/PDP Released: IVSE1/PDP	Document: DB44420040EN Version: 03	Page 1 of 3
---	---------------------------------------	-------------

44420040	<b>DATA SHEET</b>	
Valid from: 17.09.2018	<b>EPIC<sup>®</sup> SIGNAL M23 F6</b>	

**Drawings**



Anzugsdrehmoment: 7,5 Nm  
tightening torque: 7,5 Nm



A1/F6  
Ansicht steckseitig  
view from mating side

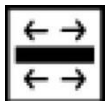
44420040	<b>DATA SHEET</b>	
Valid from: 17.09.2018	<b>EPIC® SIGNAL M23 F6</b>	



Good chemical resistance



Industrial machinery and plant engineering



Optimum strain relief



Robust



Integrated SKINTOP® cable gland



Wind energy

### Application range

Plant engineering  
 Servo drives and Servo assemblies  
 Measurement and control technology

### Remark

Photographs are not to scale and do not represent detailed images of the respective products.

Creator: MANA2/PDP Released: IVSE1/PDP	Document: DB44420040EN Version: 03	Page 3 of 3
---	---------------------------------------	-------------