


44420032	<b>DATA SHEET</b>	
Valid from: 17.09.2018	<b>EPIC<sup>®</sup> SIGNAL M23 G4</b>	

## Description

- Circular connectors for servo cables and encoders
- Fast and easy assembly
- Only one M25 bore hole necessary



## General characteristics

Series	SIGNAL M23
Version	panel-mount box, front wall mounting
Protection rating	IP 68 (10 h / 1 m)
Temperature range	-25 °C to +125 °C

## Product variations

Article number	Coding	Fastening type	PU
44420032	black (N)	M25x1,5	5
44420031	black (N)	M25x1,5	20
44420034	red (+20°)	M25x1,5	5
44420033	red (+20°)	M25x1,5	20
44420030	blue (-20°)	M25x1,5	5
44420029	blue (-20°)	M25x1,5	20

## Materials and surfaces

Housing	Nickel plated zinc die-casting
Sealing	FPM


## Approvals

VDE-Approval, VDE-REG.-Nr.	C24
UL File Number	E249137

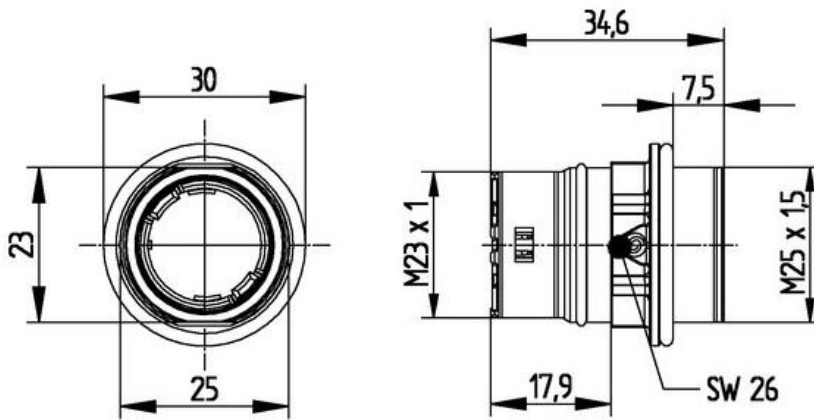
## Standard

Safety Standard	IEC 61984
-----------------	-----------

Creator: MANA2/PDP Released: IVSE1/PDP	Document: DB44420032EN Version: 02	Page 1 of 2
---	---------------------------------------	-------------

44420032	<b>DATA SHEET</b>	
Valid from: 17.09.2018	<b>EPIC® SIGNAL M23 G4</b>	

## Drawings



Good chemical resistance



Industrial machinery and plant engineering



Robust



Wind energy

### Info

For mounting in existing M25 threads or boreholes

### Application range

Plant engineering  
 Servo drives and Servo assemblies  
 Measurement and control technology

### Remark

Photographs are not to scale and do not represent detailed images of the respective products.

Creator: MANA2/PDP Released: IVSE1/PDP	Document: DB44420032EN Version: 02	Page 2 of 2
---	---------------------------------------	-------------