


44420024	DATA SHEET	
Valid from: 17.09.2018	EPIC[®] SIGNAL M23 B1	

Description

- Circular connectors for servo cables and encoders
- Defined stop position when mounting at device prevents uncontrolled pressing of sealing
- Harnessed insulation body can easily inserted from back side in already mounted housing



General characteristics

Series	SIGNAL M23
Version	panel-mount box, rear wall mounting
Protection rating	IP 68 (10 h / 1 m)
Temperature range	-25 °C to +125 °C

Product variations

Article number	Coding	Fastening type	PU
44420024	black (N)	M2,5 (4x)	5
44420023	black (N)	M2,5 (4x)	20
44420026	red (+20°)	M2,5 (4x)	5
44420025	red (+20°)	M2,5 (4x)	20
44420022	blue (-20°)	M2,5 (4x)	5
44420021	blue (-20°)	M2,5 (4x)	20

Materials and surfaces

Housing	Zinc die-casting, nickel plated
Sealing	FPM


Approvals

VDE-Approval, VDE-REG.-Nr.	C24
UL File Number	E249137

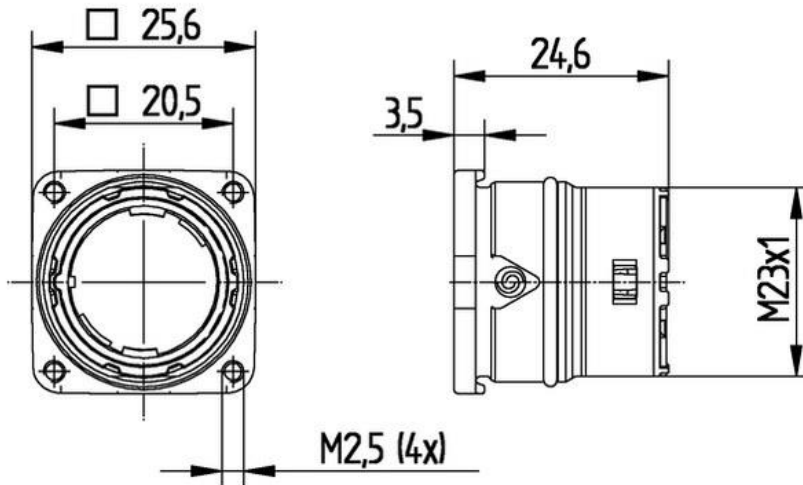
Standard

Safety Standard	IEC 61984
-----------------	-----------

Creator: MANA2/PDP Released: IVSE1/PDP	Document: DB44420024EN Version: 02	Page 1 of 2
---	---------------------------------------	-------------

44420024	DATA SHEET	
Valid from: 17.09.2018	EPIC® SIGNAL M23 B1	

Drawings



Good chemical resistance



Industrial machinery and plant engineering



Robust



Wind energy

Info

Housing for mounting at inner side to save space outside of device

Application range

Plant engineering
 Servo drives and Servo assemblies
 Measurement and control technology

Remark

Photographs are not to scale and do not represent detailed images of the respective products.

Creator: MANA2/PDP Released: IVSE1/PDP	Document: DB44420024EN Version: 02	Page 2 of 2
---	---------------------------------------	-------------