

24441293	<b>DATA SHEET</b>	
Valid from: 18.09.2020	<b>EPIC® POWER LS1 KIT D6 5+PE TWIST</b>	

## Description

- Circular connectors for servomotors and power supply
- High power at smallest installation space
- Optimal solution for electric motors
- EMC-optimised design
- Safety use in field environment by high protection class
- Quick and secure locking with bayonet lock



## General Characteristics

Series	POWER LS 1
Version	Cable connector for female contacts
Pin configuration	5+PE
Rated voltage (V)	630 V
Rated impulse voltage	6 kV
Rated current (A)	25A
Contact resistance	< 4 mOhm
Number of contacts	5+PE
Termination methods	Crimp termination: 0.5 – 2,5 mm <sup>2</sup>
Protection	IP 67 (latched)
Cycle of mechanical operation	500
Temperature range	-25°C to +125°C
Degree of soiling	3
Cable clamping range	7,5 mm – 15,5 mm

## Materials and Surfaces

Housing	Nickel-plated zinc die-casting, nickel-plated brass
Insert	PA
Seal	FPM
Contacts	Brass
Contact surface	Au

## Approvals

UL E-File Number	E249137
------------------	---------

## Standard

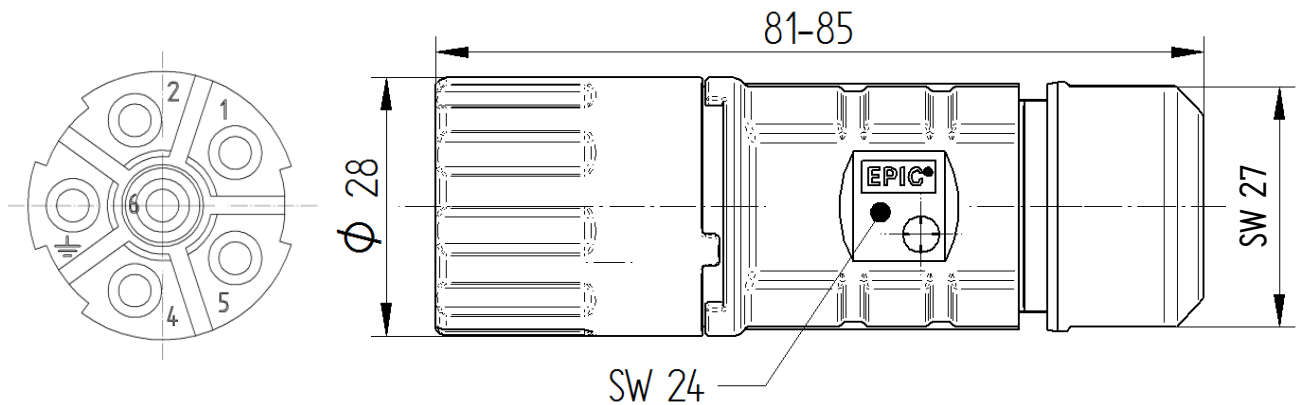
Safety Standard	IEC 61984; UL 2238; CSA 22.2 182.3
-----------------	------------------------------------



Creator: STKU3/PDP Released: IVSE1/PDP	Document: DB24441293EN Version: 02	Page 1 of 3
---	---------------------------------------	-------------

24441293	<b>DATA SHEET</b>	
Valid from: 18.09.2020	<b>EPIC® POWER LS1 KIT D6 5+PE TWIST</b>	

### Technical Drawings



Good chemical resistance



Corrosion-resistant



Industrial machinery and plant engineering



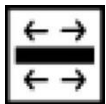
Maximum vibration protection



Mechanical resistance



Assembly time



Optimum strain relief



Space requirement



Robust

Creator: STKU3/PDP Released: IVSE1/PDP	Document: DB24441293EN Version: 02	Page 2 of 3
---	---------------------------------------	-------------

24441293	<b>DATA SHEET</b>	
Valid from: 18.09.2020	<b>EPIC® POWER LS1 KIT D6 5+PE TWIST</b>	



Waterproof



Wind Energy

**Application range**

Plant engineering  
Servo drives and servo assemblies

**Remark**

Photographs are not to scale and do not represent detailed images of the respective products.

Creator: STKU3/PDP Released: IVSE1/PDP	Document: DB24441293EN Version: 02	Page 3 of 3
---	---------------------------------------	-------------