


24441291	DATA SHEET	
Valid from: 18.09.2020	EPIC® POWER LS1 A6 5+PE TWIST	

Description

- Circular connectors for servomotors and power supply
- High power at smallest installation space
- Optimal solution for electric motors
- EMC-optimised design
- Safety use in field environment by high protection class
- Quick and secure locking with bayonet lock



General Characteristics

Series	POWER LS 1
Version	Front wall mounting for female contacts
Pin configuration	5+PE
Rated voltage (V)	630 V
Rated impulse voltage	6 kV
Rated current (A)	25 A
Contact resistance	< 4 mOhm
Contacts included	Yes
Number of contacts	5+PE
Termination methods	Crimp termination: 0.5 - 2.5 mm ² (2 mm contacts)
Cable clamping range	Ø2,7 mm (4x)
Protection	IP 67 (latched)
Cycle of mechanical operation	500
Temperature range	-25°C to +125°C
Degree of soiling	3

Materials and Surfaces

Housing	Nickel-plated zinc die-casting, nickel-plated brass
Insert	PA
Seal	FPM
Contact	Brass
Contact surface	Au

Approvals


UL E-File Number	E249137
------------------	---------

Standard

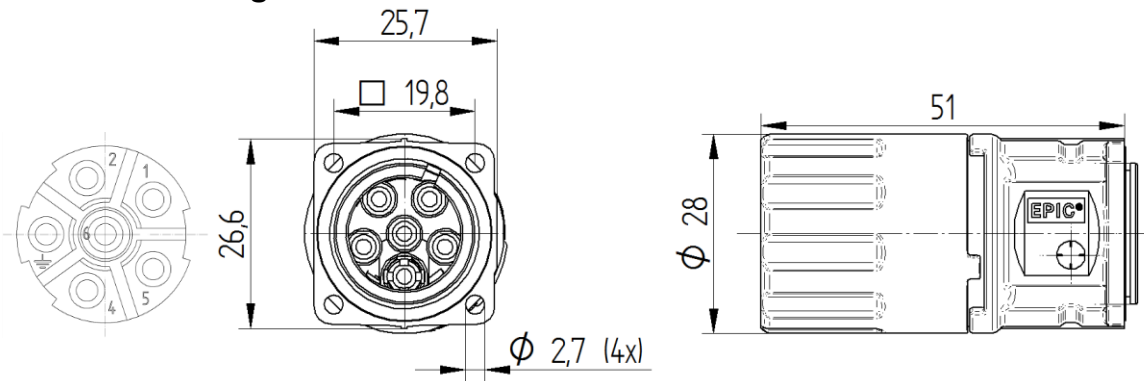
Safetey Standard	IEC 61984, UL 2238, CSA 22.2 182.3
------------------	------------------------------------



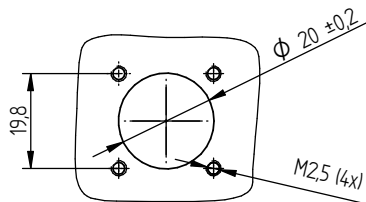
Creator: STKU3/PDP Released: IVSE1/PDP	Document: DB24441291EN Version: 02	Page 1 of 3
---	---------------------------------------	-------------

24441291	DATA SHEET	
Valid from: 18.09.2020	EPIC® POWER LS1 A6 5+PE TWIST	

Technical Drawings



Mounting cut out



Good chemical resistance



Corrosion-resistant



Industrial machinery and plant engineering




Maximum vibration protection



Mechanical resistance



Assembly time

24441291	DATA SHEET	
Valid from: 18.09.2020	EPIC® POWER LS1 A6 5+PE TWIST	



Space requirement



Robust



Waterproof



Wind Energy



Variety of approval certifications

Application range

Plant engineering

Servo drives and servo assemblies

Remark

Photographs are not to scale and do not represent detailed images of the respective products.

Creator: STKU3/PDP Released: IVSE1/PDP	Document: DB24441291EN Version: 02	Page 3 of 3
---	---------------------------------------	-------------