

24441285	DATA SHEET	
Valid from: 18.09.2020	EPIC® POWER LS1 D6 SHORT 3+PE+4 TWIST	

Description

- Circular connector for servomotors and power supply
- High power at smallest installation space
- Optimal solution for electric motors
- EMC-optimised design
- Safety use in field environment by high protection class
- Quick and secure locking with bayonet lock



General Characteristics

Series	POWER LS 1
Version	Short, Cable connector for female contacts
Pin configuration	3+PE+4
Rated voltage (V)	630 V (2mm Contacts) 250 V (1mm Contacts)
Rated impulse voltage	6 kV (2mm Contacts) 4 kV (1mm Contacts)
Rated current (A)	25A (2mm Contacts) 7A (1mm Contacts)
Contact resistance	< 4 mOhm
Number of contacts	3+PE+4
Termination methods	Crimp termination: 0.5 – 2,5 mm ² (2 mm contacts) Crimp termination: 0.14 - 1.0 mm ² (1 mm contacts)
Protection	IP 67 (latched)
Cycle of mechanical operation	500
Temperature range	-25°C to +125°C
Degree of soiling	3

Product Variations


Package unit = 20 pieces: The contacts must be ordered separately

Article- Number	Article	Contacts included	Cable clamping range mm	Pin configuration
Type LS1 D6 short, Cable connector, 8-pin for female contacts				
24441285	LS1 D6	8	8,5 - 11	3+PE+4
24441286	LS1 D6		8,5 - 11	3+PE+4
24441287	LS1 D6	8	10,5 - 15,5	3+PE+4
24441288	LS1 D6		10,5 - 15,5	3+PE+4
24441289	LS1 D6	8	7,5 - 15,5	3+PE+4
24441290	LS1 D6		7,5 - 15,5	3+PE+4

Materials and Surfaces

Housing	Nickel-plated zinc die-casting, nickel-plated brass
Insert	PA
Seal	FPM
Contacts	Brass
Contact surface	Au

Creator: STKU3/PDP Released: IVSE1/PDP	Document: DB24441285EN Version: 02	Page 1 of 3
---	---------------------------------------	-------------

24441285	DATA SHEET	
Valid from: 18.09.2020	EPIC® POWER LS1 D6 SHORT 3+PE+4 TWIST	

Approvals

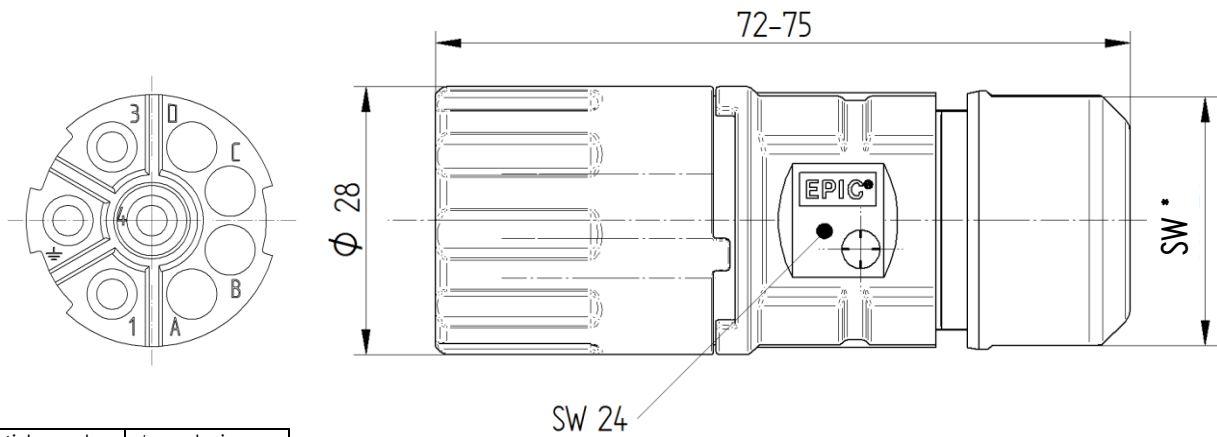
UL E-File Number E249137

Standard

Safety Standard IEC 61984, UL 2238, CSA 22.2 182.3



Technical Drawings



Article number	*wrench size
24441285	26
24441286	26
24441287	26
24441288	26
24441289	27
24441290	27



Good chemical resistance



Corrosion-resistant



Industrial machinery and plant engineering



Maximum vibration protection



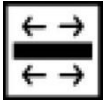
Mechanical resistance

Creator: STKU3/PDP Released: IVSE1/PDP	Document: DB24441285EN Version: 02	Page 2 of 3
---	---------------------------------------	-------------

24441285	DATA SHEET	
Valid from: 18.09.2020	EPIC® POWER LS1 D6 SHORT 3+PE+4 TWIST	



Assembly time



Optimum strain relief



Space requirement



Robust



Waterproof



Wind Energy

Info

Reduced length for cables which are easy to assemble

Application range

Plant engineering

Servo drives and servo assemblies

Remark

Photographs are not to scale and do not represent detailed images of the respective products.

Creator: STKU3/PDP Released: IVSE1/PDP	Document: DB24441285EN Version: 02	Page 3 of 3
---	---------------------------------------	-------------