


19512300	DATA SHEET	
Valid from: 17.09.2018	EPIC® H-A 3 MTs M20	

Description

- Innovative metal and plastic housing design
- Housing in plastic or metal version. For power supply in the smallest possible space



General characteristics

Series	H-A 3
Version	Hood M20
Locking mechanism	bolts for single lever
Cable entry	lateral
Protection (DIN EN 60529)	IP 65 (latched)
Protection (NEMA 250, UL50E)	4, 12 (latched)
Temperature range	-40°C to +100°C, short-term up to +125°C

Materials and surfaces

Housing, base material	Zinc die-casting
Housing, surface	Powder-coating, grey


Approvals

VDE-Approval, VDE-REG.-Nr.	B437
----------------------------	------

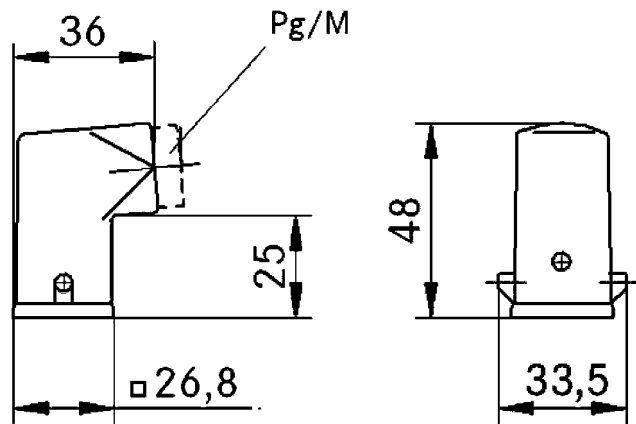
Standards

Safety Standard	IEC 61984
-----------------	-----------

Creator: MANA2/PDP Released: IVSE1/PDP	Document: DB19512300EN Version: 01	Page 1 of 2
---	---------------------------------------	-------------

19512300	DATA SHEET	
Valid from: 17.09.2018	EPIC® H-A 3 MTs M20	

Drawings



Industrial machinery and plant engineering



Mechanical resistance



Robust



Waterproof

Info

Compact, robust metal housings size H-A 3

Application range

Machine and equipment manufacturing
Control engineering
Electronic laboratory

Remark

Photographs are not to scale and do not represent detailed images of the respective products.

Creator: MANA2/PDP Released: IVSE1/PDP	Document: DB19512300EN Version: 01	Page 2 of 2
---	---------------------------------------	-------------