
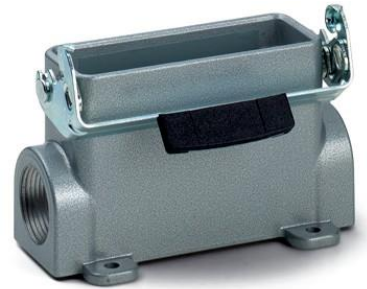


19448000	DATA SHEET	
Valid from: 17.09.2018	EPIC® H-A 10 SGR-LB	

Description

- These connectors are attractive because of their compact housing.
- Small and space-saving for narrow available space



General characteristics

Series	H-A 10
Version	Surface-mount base
Locking	single lever
Cable entry, direction	lateral
Cable entry, quantity	1
Protection (DIN EN 60529)	IP 65 (latched)
Protection (NEMA 250, UL50E)	4, 12 (latched)
Temperature range	-40 °C to +100 °C, short-term up to +125 °C

Product variations

Article no.	Thread
19448100	M20
19448000	M25

Materials and surfaces

Housing	Aluminium alloy, powder-coated, grey
Lever	Steel, zinc-plated


Approvals

VDE-Approval, VDE-REG.-Nr.	B437
----------------------------	------

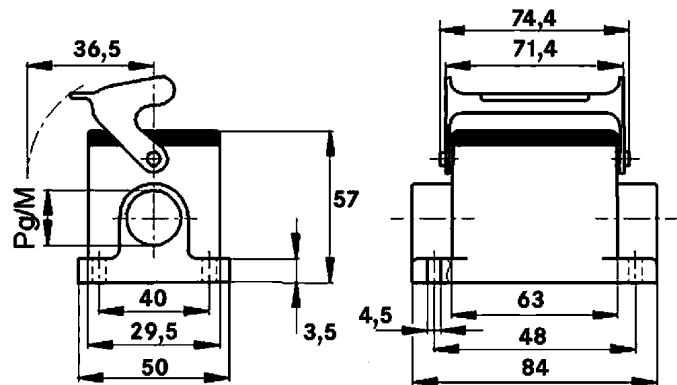
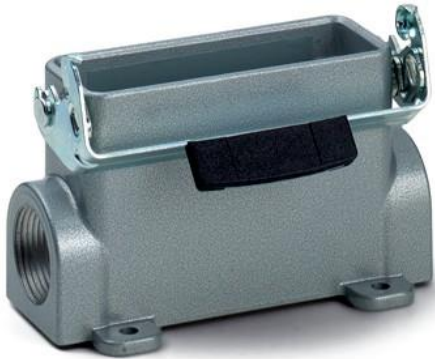
Standards

Safety Standard	IEC 61984
-----------------	-----------

Creator: MANA2/PDP Released: IVSE1/PDP	Document: DB19448000EN Version: 01	Page 1 of 2
---	---------------------------------------	-------------

19448000	DATA SHEET	
Valid from: 17.09.2018	EPIC® H-A 10 SGR-LB	

Drawings



Industrial machinery and plant engineering



Mechanical resistance



Robust



Waterproof

Info

Compact, robust metal housings size H-A 10

Application range

Machine and equipment manufacturing
Control engineering
Electronic laboratory

Remark

Photographs are not to scale and do not represent detailed images of the respective products.

Creator: MANA2/PDP Released: IVSE1/PDP	Document: DB19448000EN Version: 01	Page 2 of 2
---	---------------------------------------	-------------