


| | | |
|---------------------------|---------------------------|---|
| 19427000 | DATA SHEET |  |
| Valid from: 17.09.2018 | EPIC® H-A 3 Ts M20 | |

Description

- Innovative metal and plastic housing design
- Housing in plastic or metal version. For power supply in the smallest possible space



General characteristics

| | |
|------------------------------|--|
| Series | H-A 3 |
| Version | Hood M20 |
| Locking mechanism | bolts for single lever |
| Cable entry | lateral |
| Protection (DIN EN 60529) | IP 65 (latched) |
| Protection (NEMA 250, UL50E) | 4, 12 (latched) |
| Temperature range | -40°C to +100°C, short-term up to +125°C |

Materials and surfaces

| | |
|---------|----------|
| Housing | PA, grey |
|---------|----------|


Approvals

| | |
|----------------------------|------|
| VDE-Approval, VDE-REG.-Nr. | B437 |
|----------------------------|------|

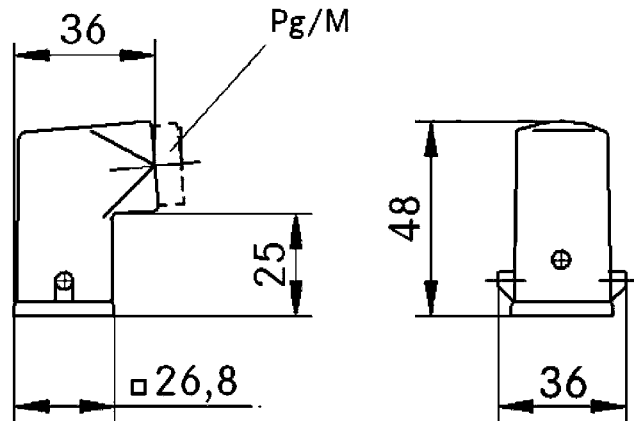
Standards

| | |
|-----------------|-----------|
| Safety Standard | IEC 61984 |
|-----------------|-----------|

| | | |
|---|---------------------------------------|-------------|
| Creator: MANA2/PDP Released: IVSE1/PDP | Document: DB19427000EN Version: 01 | Page 1 of 2 |
|---|---------------------------------------|-------------|

| | | |
|---------------------------|--------------------|---|
| 19427000 | DATA SHEET |  |
| Valid from: 17.09.2018 | EPIC® H-A 3 Ts M20 | |

Drawings



Industrial machinery and plant engineering



Mechanical resistance



Robust



Waterproof

Info

Compact, robust metal housings size H-A 3

Application range

Machine and equipment manufacturing
Control engineering
Electronic laboratory

Remark

Photographs are not to scale and do not represent detailed images of the respective products.

| | | |
|---|---------------------------------------|-------------|
| Creator: MANA2/PDP Released: IVSE1/PDP | Document: DB19427000EN Version: 01 | Page 2 of 2 |
|---|---------------------------------------|-------------|