


11260000	DATA SHEET	
Valid from: 20.08.2020	EPIC® H-D 25 SCG / H-D 25 BCG stamped	

Description

- EPIC® H-D inserts for stamped crimp contacts
- Inserts of the connector series EPIC® H-D are designed for applications in which a high number of contacts are required.



General Characteristics

Series	EPIC® H-D 25
Version	Male/Female(Article 11261000)
Number of Contacts	25 + PE
Termination Methods	Crimp termination: 0.14 - 2.5 mm ²
Temperature Range	-40°C to +100°C, short-term up to +125°C

Mechanical Characteristics

Cycle of mechanical operation	100
-------------------------------	-----

Electrical Characteristics

Rated Voltage, IEC	250 V
Rated Voltage, UL	250 V
Rated Impulse Voltage	2.5 kV
Rated Current, IEC	10 A
Rated Current, UL	10 A
Contact Resistance	< 2 mOhm
Degree of Soiling	3

Materials and Surfaces

Contacts	Copper alloy, hard silver/gold-plated
Insulating Body	PBT
Flammability Class according to UL 94	V0

Approvals

UL-Approval, E-File-Number	E75770
VDE-Approval, VDE-REG.-Nr.	B437


Standard

Safety Standard	IEC 61984, UL 1977
-----------------	--------------------

Suitable contacts

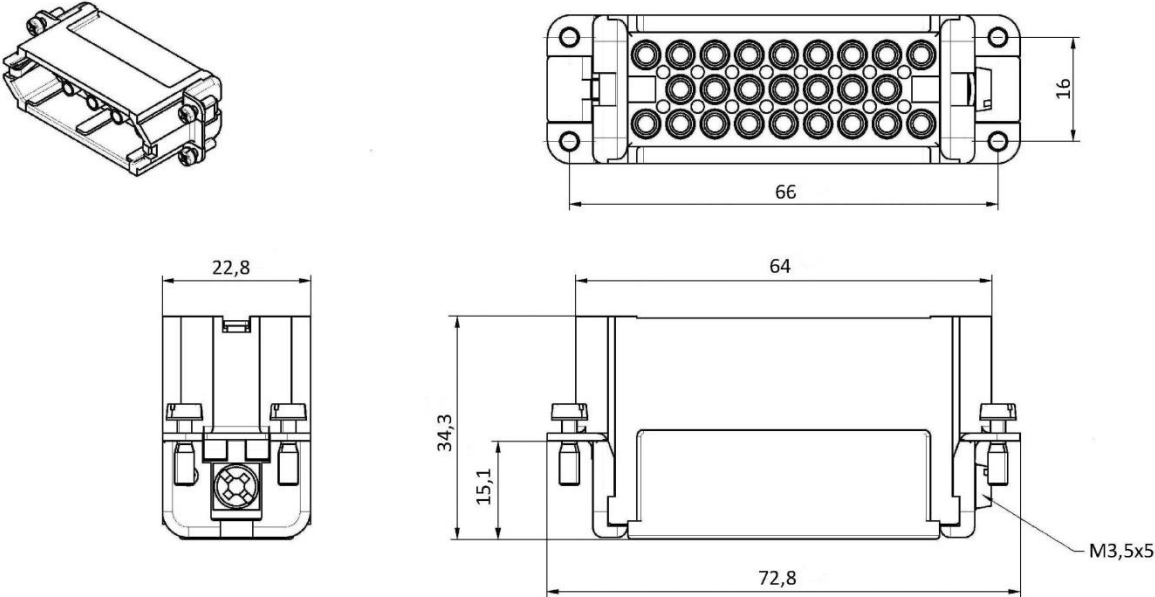
Male contact	EPIC® H-D SCG EPIC® H-D SCBG ...
Female contact	EPIC® H-D BCG ... EPIC® H-D BCBG ...

Creator: MANA2/PDP Released: IVSE1/PDP	Document: DB1126000EN Version: 02	Page 1 of 3
---	--------------------------------------	-------------

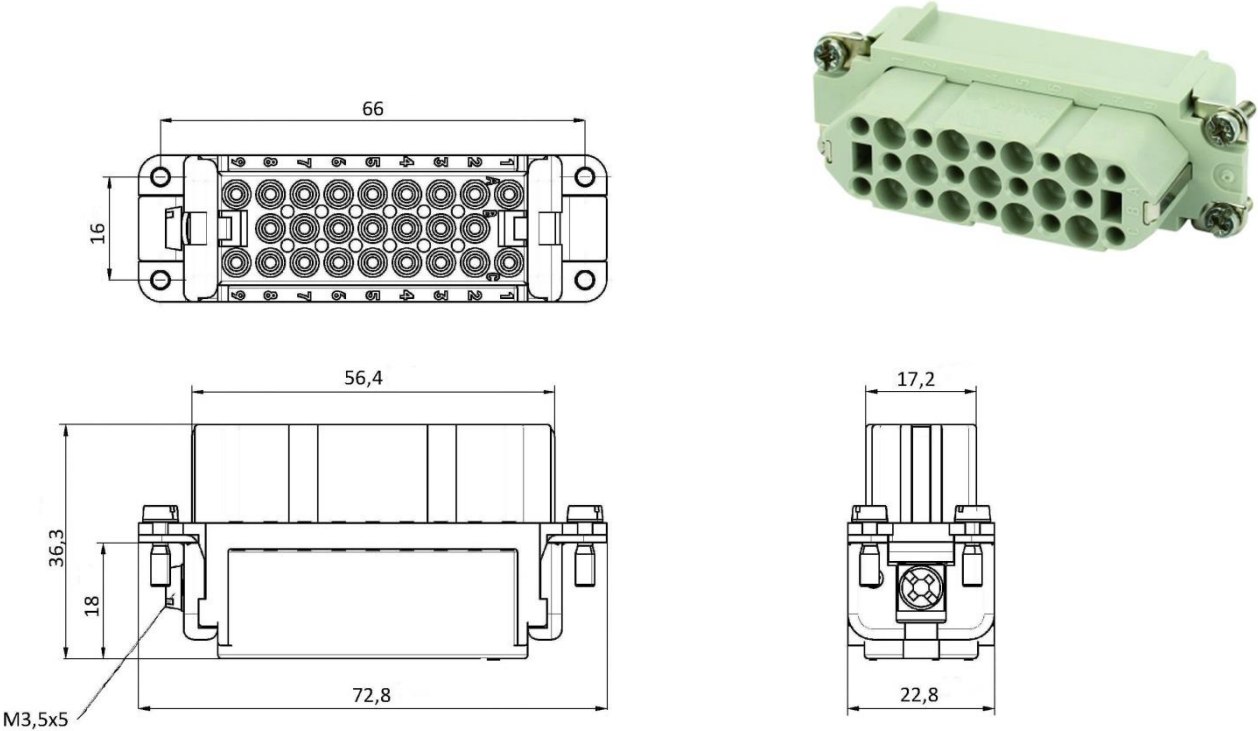
11260000	DATA SHEET	
Valid from: 20.08.2020	EPIC® H-D 25 SCG / H-D 25 BCG stamped	


Technical Drawings

EPIC® H-D 25 SCG 11260000 male insert

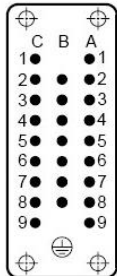


EPIC® H-D 25 BCG 11261000 female Insert

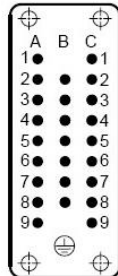


11260000	DATA SHEET	
Valid from: 20.08.2020	EPIC® H-D 25 SCG / H-D 25 BCG stamped	

F



M



Industrial machinery and plant engineering

Application range

Machine and equipment manufacturing
Control engineering

Remark

Photographs are not to scale and do not represent detailed images of the respective products.

Creator: MANA2/PDP Released: IVSE1/PDP	Document: DB1126000EN Version: 02	Page 3 of 3
---	--------------------------------------	-------------