


10620600	DATA SHEET	
Valid from: 17.09.2018	EPIC [®] H-A 3 Ts	

Description

- Innovative metal and plastic housing design
- Housing in plastic or metal version. For power supply in the smallest possible space



General characteristics

Series	H-A 3
Version	Hood PG 11
Locking mechanism	bolts for single lever
Cable entry	lateral
Cable gland	yes
Cable gland, clamping range	6,5 – 12,0 mm
Protection rating	IP 65 (latched)
Temperature range	-40 °C to +100 °C, short-term up to +125 °C

Materials and surfaces

Housing	PA, black
Gasket	NBR


Approvals

VDE-Approval, VDE-REG.-Nr.	B437
----------------------------	------

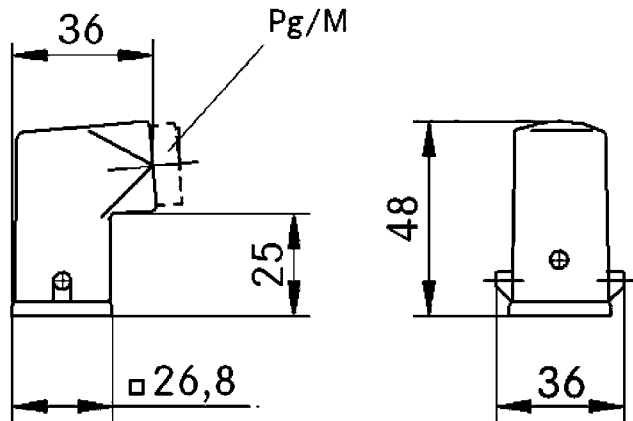
Standard

Safety Standard	IEC 61984
-----------------	-----------

Creator: MANA2/PDP Released: IVSE1/PDP	Document: DB10620600EN Version: 01	Page 1 of 2
---	---------------------------------------	-------------

10620600	DATA SHEET	
Valid from: 17.09.2018	EPIC® H-A 3 Ts	

Drawings



Industrial machinery and plant engineering



Mechanical resistance



Robust



Waterproof

Info

Compact, robust metal housings size H-A 3

Application range

Machine and equipment manufacturing
Control engineering
Electronic laboratory

Remark

Photographs are not to scale and do not represent detailed images of the respective products.

Creator: MANA2/PDP Released: IVSE1/PDP	Document: DB10620600EN Version: 01	Page 2 of 2
---	---------------------------------------	-------------