


10512300	<b>DATA SHEET</b>	
Valid from: 17.09.2018	<b>EPIC® H-A 3 MTs</b>	

## Description

- Innovative metal and plastic housing design
- Housing in plastic or metal version. For power supply in the smallest possible space



## General characteristics

Series	H-A 3
Version	Hood PG 11
Locking mechanism	bolts for single lever
Cable entry	lateral
Protection (DIN EN 60529)	IP 65 (latched)
Protection (NEMA 250, UL50E)	4, 12 (latched)
Temperature range	-40°C to +100°C, short-term up to +125°C

## Materials and surfaces

Housing, base material	Zinc die-casting
Housing, surface	Powder-coating, grey


## Approvals

VDE-Approval, VDE-REG.-Nr.	B437
----------------------------	------

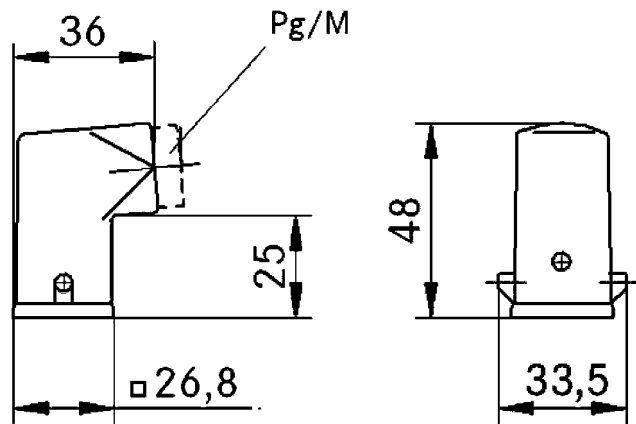
## Standard

Safety Standard	IEC 61984
-----------------	-----------

Creator: MANA2/PDP Released: IVSE1/PDP	Document: DB10512300EN Version: 01	Page 1 of 2
---	---------------------------------------	-------------

10512300	<b>DATA SHEET</b>	
Valid from: 17.09.2018	EPIC® H-A 3 MTs	

## Drawings



Industrial machinery and plant engineering



Mechanical resistance



Robust



Waterproof

## Info

Compact, robust metal housings size H-A 3

## Application range

Machine and equipment manufacturing  
Control engineering  
Electronic laboratory

## Remark

Photographs are not to scale and do not represent detailed images of the respective products.

Creator: MANA2/PDP Released: IVSE1/PDP	Document: DB10512300EN Version: 01	Page 2 of 2
---	---------------------------------------	-------------