


00010521	<b>DATA SHEET</b>	
Valid from: 31.10.2018	<b>EPIC<sup>®</sup> SIGNAL M23 C2 17 Pin</b>	

## Description

- Circular connectors for servo cables and encoder
- Quick and easy separation of the connection from both sides of the wall
- For the connection of two preassembled M23 D6 cable connectors



## General characteristics

Series	M23 Signal
Type	C2
Version	Feed-through housing
Connection type	Combination, Female and Male insert
Coding	N
Pin-arrangement	17 E male - 17 P female
Contact diameter	1 mm
Mounting type	Ø 2,7 (4x)
Maximum mounting wall thickness	3 mm
Degree of protection	IP 67 (mated and locked)
Cycles of mechanical operation	500
Temperature range	-40°C to +100°C, short-term up to +125°C


## Electrical characteristics

Rated voltage	24 V AC / 60 V DC
Rated impulse voltage	1.15 kV (according to IEC 60664-1)
Rated current	7.5 A
Contact resistance	≤ 3 mOhm

## Materials and surfaces

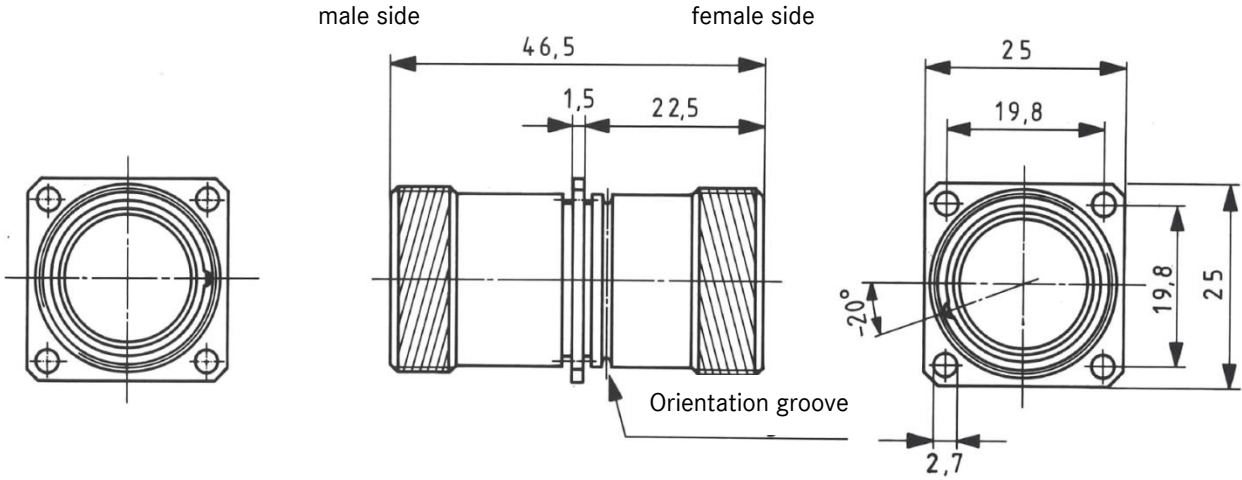
Housing, base material	Copper alloy
Housing, surface	Ni
Insulation body, material	Thermoplastic
UL 94 flammability class	V0
Contacts, base material	Copper alloy
Contacts, surface	Gold
Gaskets	Chloroprene rubber

Creator: STKU3/PDP Released: IVSE1/PDP	Document: DB00010521EN Version: 00	Page 1 of 3
---	---------------------------------------	-------------

00010521	<b>DATA SHEET</b>	
Valid from: 31.10.2018	EPIC <sup>®</sup> SIGNAL M23 C2 17 Pin	

**Technical Drawings**

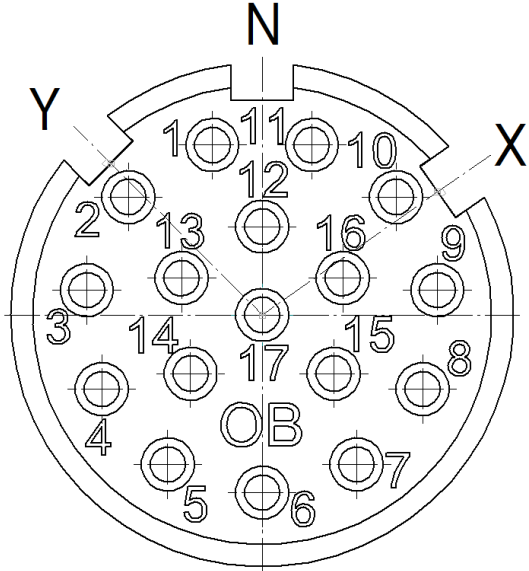
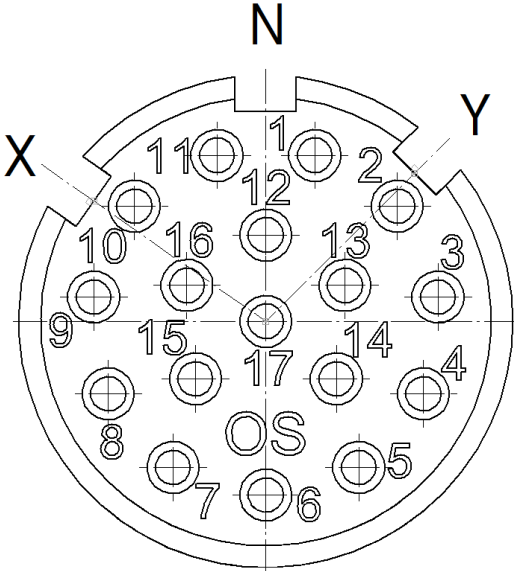
**Housing**




**Inserts**

View on mating side male pin insert

View on mating side female pin insert



00010521	<b>DATA SHEET</b>	
Valid from: 31.10.2018	<b>EPIC<sup>®</sup> SIGNAL M23 C2 17 Pin</b>	



Corrosion-resistant



Mechanical and Plant Engineering



Mechanical resistance



Space requirement

### Application range

Machine and equipment manufacturing  
Measurement and control technology

### Remark

Photographs are not to scale and do not represent detailed images of the respective products.

Creator: STKU3/PDP Released: IVSE1/PDP	Document: DB00010521EN Version: 00	Page 3 of 3
---	---------------------------------------	-------------